

Concealed Cistern
6373-P3-8000

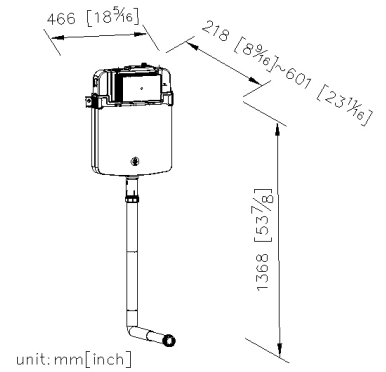
INTRODUCTION:

The simple and generous design without unnecessary lines saves up space in the washroom.



DESCRIPTION:

1. In-wall cavity dual flush cistern.
2. Top inlet entry.
3. Flush pipe, key seal & fixings included.
4. Two dual-flush configurations available: 6L/3L.
5. Product Size: 466*218*1368mm.



Certification:

Fixing Kits:

1. N/A

AWARD: