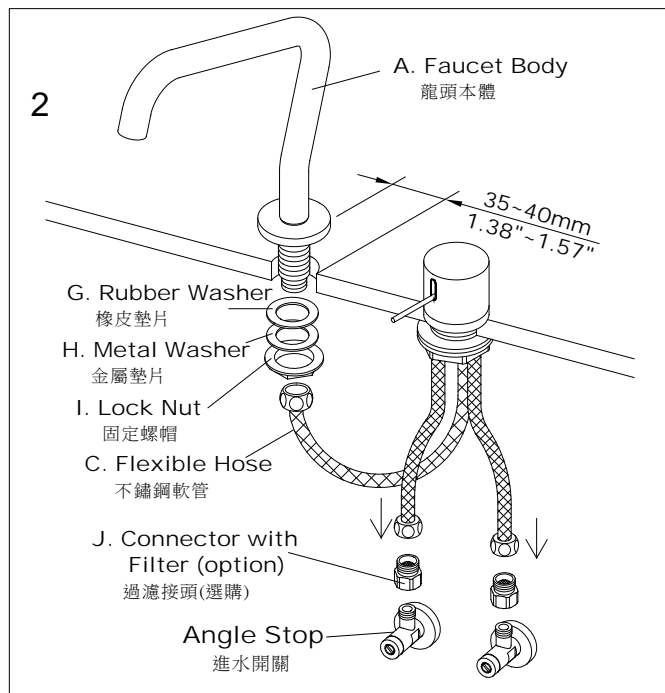
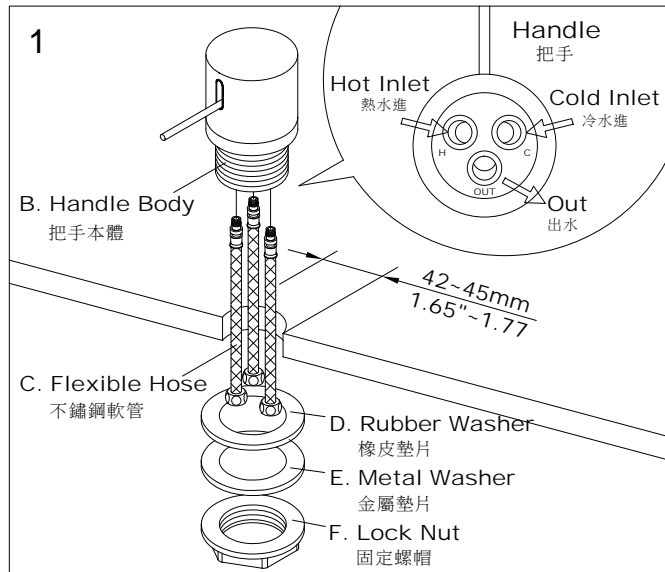


# INSTALLATION INSTRUCTIONS

## SINGLE-HANDLE KITCHEN FAUCET

### 廚房龍頭安裝說明



**CAUTION: Prevent The Risk of Product Damage.**

注意：為增加產品使用壽命，請依說明清潔供水管路。

a./ Turn the angle stops (water suppliers) on and run for 1 minute before connect supply hose (flexible hose) to faucet body. or b./

安裝編織管之前，先把供水開關全開排水一分鐘。或 b./

b./ Connect and tighten the faucet and angle stops with supply hose (flexible hose) to finish installation, then remove the aerator, fully turn on the hot and cold water valves on faucet and run for 1 minute, then turn off the water and reinstall the aerator.

把龍頭、供水開關及編織管接好並鎖緊之後，拆下起泡器，把熱水及冷水全部轉開一分鐘，然後把水關掉再把起泡器裝回去。

1. Insert Flexible Hoses (X 3) through deck hole and screw into the Hot & Cold inlets and one outlet under Handle Body, position Handle Body for fixture and place Lock Nut with Rubber Washer and Metal Washer onto Handle Body, and then tighten Lock Nut securely.

將不鏽鋼軟管(x3)穿過洗臉盆(檯)洞口並且鎖入把手本體，從把手本體下方依序套入橡皮墊片、金屬墊片和固定螺帽，確認把手方向位置後，鎖緊固定螺帽固定把手即可。

2. Position Faucet Body on the deck for fixture, place Lock Nut with Rubber Washer and Metal Washer onto Faucet Body, tighten Lock Nut securely, and screw Flexible Hose into bottom of Faucet Body. Install Angle Connector with Filter (option) onto the outlet of Angle Stop first, and then connect Hot & Cold Flexible Hoses to outlets.

確認龍頭方向位置，依序套入橡皮墊片、金屬墊片和固定螺帽，鎖緊固定螺帽固定龍頭，再將不鏽鋼軟管鎖緊固定於龍頭本體即可。連接過濾接頭(選擇性零件)到進水開關，連接冷熱進水不鏽鋼軟管到供水開關，確認完成安裝程序。

## FIXING CONTENTS

### 組配件內容

A. Faucet Body × 1 龍頭本體	B. Handle Body × 1 把手本體	C. Flexible Hose × 3 不鏽鋼軟管	E. Metal Washer × 1 金屬墊片	G. Rubber Washer × 1 橡皮墊片	I. Lock Nut × 1 固定螺帽
		D. Rubber Washer × 1 橡皮墊片	F. Lock Nut × 1 固定螺帽	H. Metal Washer × 1 金屬墊片	J. Connector × 2 with Filter (option) 過濾接頭