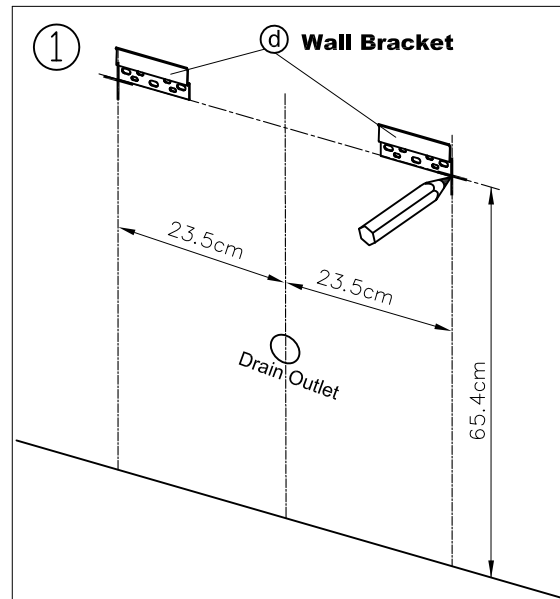
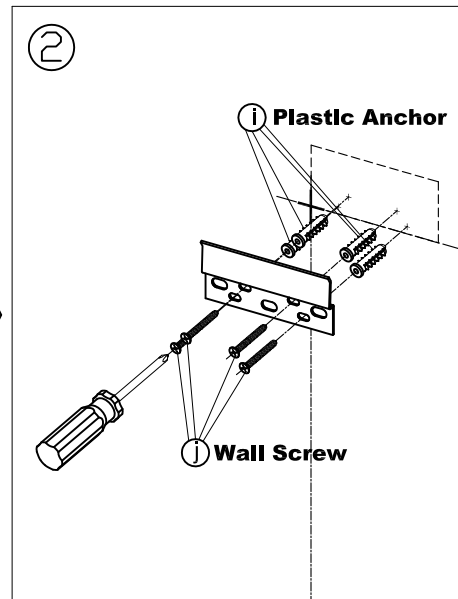


INSTALLATION GUIDE

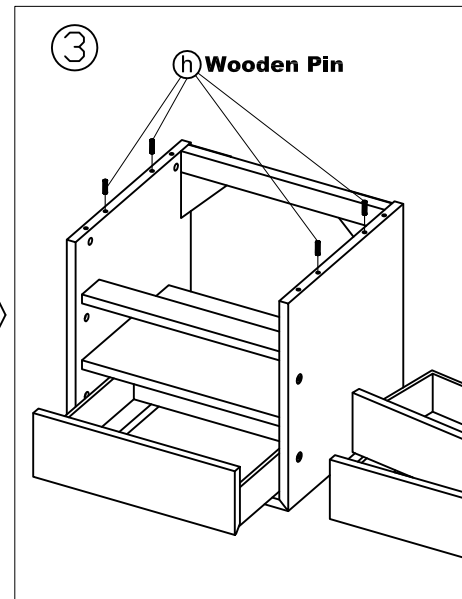
BASIN TABLE 枱面組安裝說明



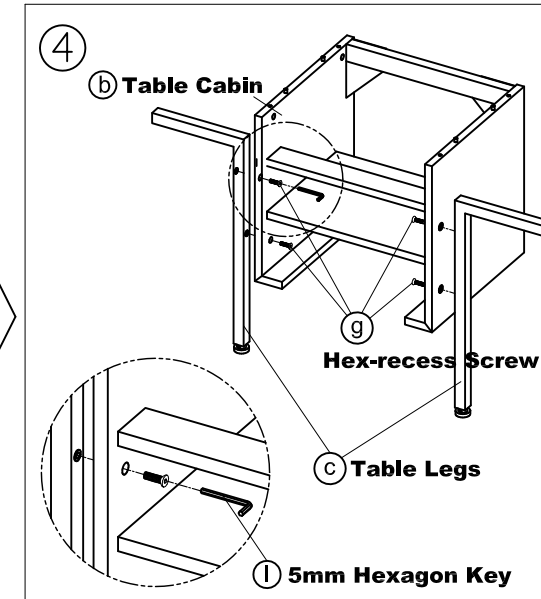
Mark two vertical lines both sides 23.5cm (9.25") from the center of drain outlet, and meantime, locate the **Wall Bracket** on show positions, then use the **Wall Bracket** as a template and mark the drilling holes position on the wall with the small holes of **Wall Bracket** as shown in figure #1. The big holes on **Wall Bracket** are for sleeve anchor fixing only.



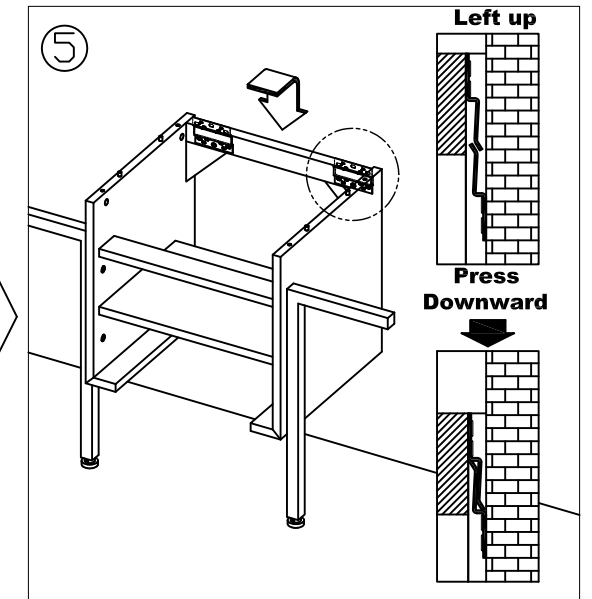
Fix **Wall Brackets** on certain position and tighten **Wall Screws**.



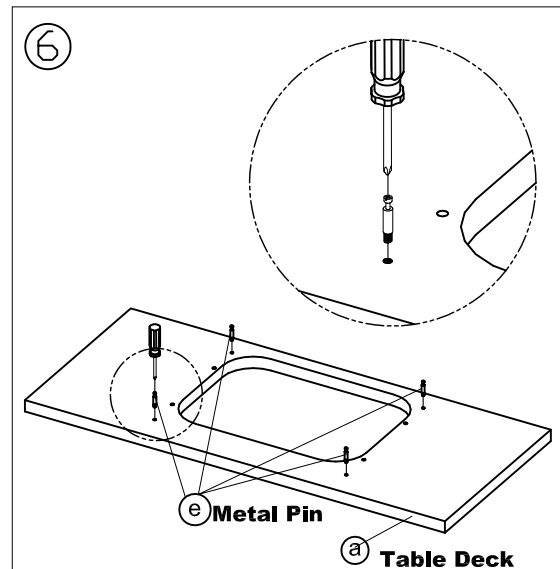
Insert 4 **Wooden Pins** into positioning holes on top edge of **Table Cabin** for locate **Table Deck** as shown in figure #3. Take out the drawers from **Table Cabin** for next step.



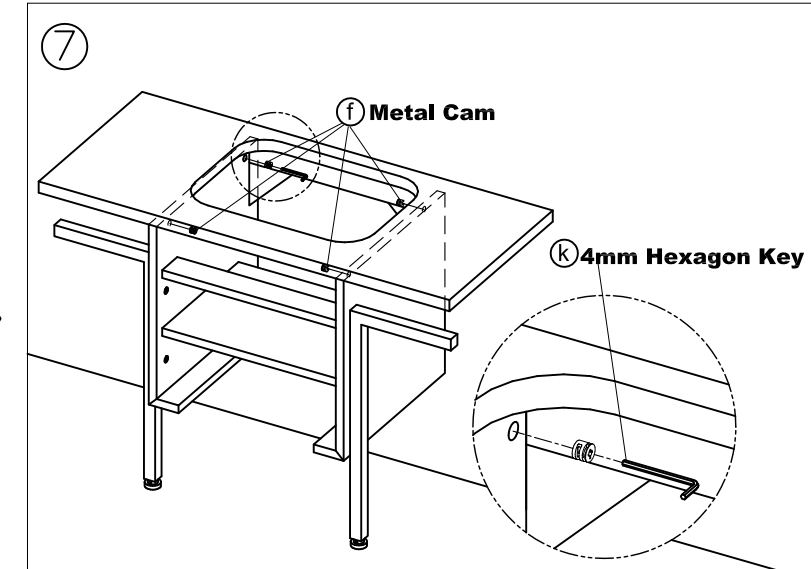
Assembling the **Table Legs** both side on the **Table Cabin** with **Hex-recess Screws** by **5mm Hexagon Key**.



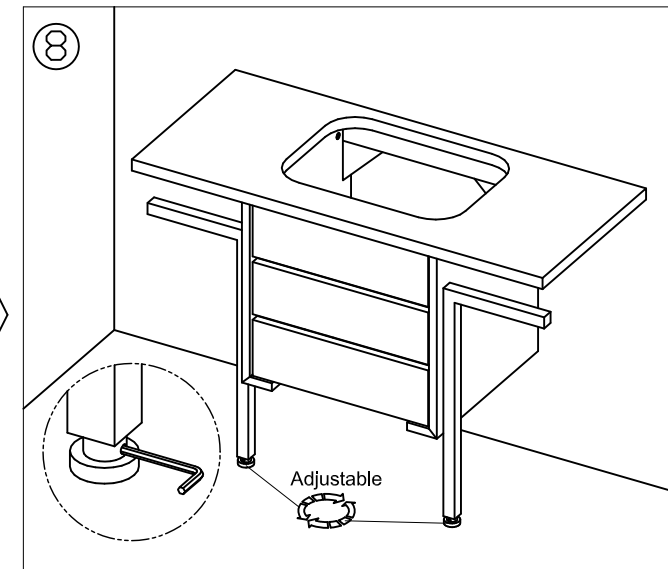
Position the **Table Cabin** close to the wall, lift up and locate the table's back-brackets on the **Wall Brackets**, then press **Table Cabin** downward to lock both **Brackets** together as shown in figure #5.



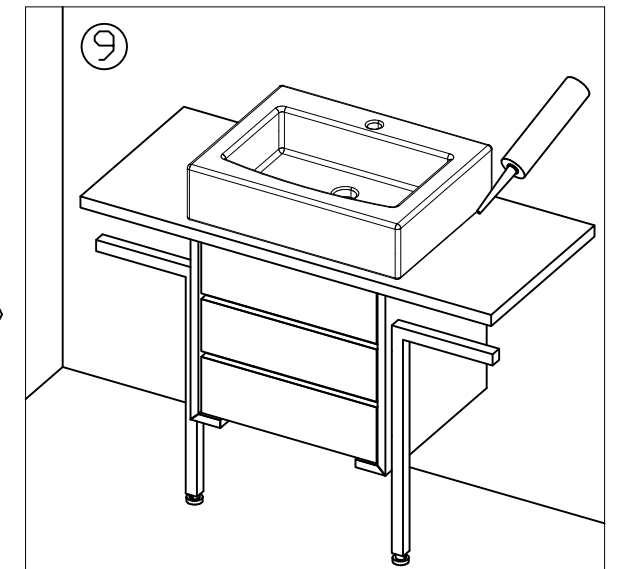
Screw and secure 4 **Metal Pins** firmly into backside of **Table Deck** as shown in figure #6.



Press and join the two pieces of **Table Deck** and **Table Cabin** together with **Wooden Pins**, then insert 4 **Metal Cams** into holes inside of **Table Cabin**, rotate **Metal Cams** clockwise and tighten them with **Metal Pin** by attached **Hexagon Key**.



Level the **Table Deck** by twisting adjustable table feet.



Fix basin with silicone sealant.

FIXING CONTENTS

