

Pop-Up Drain 6502-A2-81CP

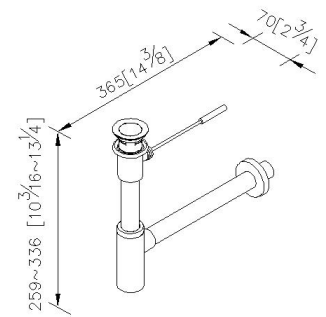
INTRODUCTION:

Just need to press the drain handle slightly and the drain will cover the tube. So that you could avoid the insects from the tube. The hole item is made by brass, it is easy to install and clean.



DESCRIPTION:

- 1.Brass of forging body meets JIS 3771 standard
- 2.Premium metal construction for durability
- 3.Justime finishes resist corrosion and tarnish
- 4.Finish meets the standard of ASTM-SC2



unit: mm[inch]

Certificaion:

Fixing Kits:

- 1.N/A

AWARD: