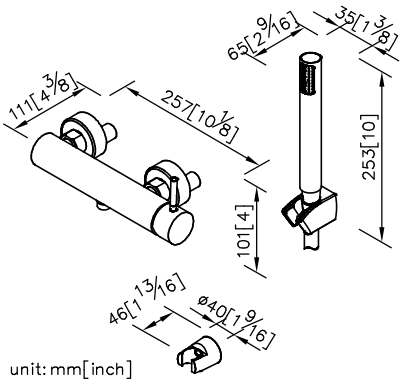


Shower Faucet 6765-93-82P1

1. Brass of casting body meets ISO CuZn40Pb standard.
2. Premium metal construction for durability.
3. Justime finishes resist corrosion and tarnish.
4. Finish meets the standard of ASTM-SC2.
5. The available distance between two centers of wall water-outlet is 122mm to 178mm.
6. Elastic shower hose can be extended from 1.5 meter to 2 meter and stand 15Kg/cm2 water pressure.
7. Coordinates with other products in Pan1 collection.



unit: mm[inch]

