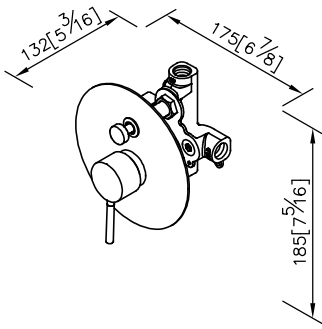


Concealed Mixer Valve W/Diverter 6765-XZ-80P1



- 1.Brass of casting body meets ISO CuZn40Pb standard.
- 2.Premium metal construction for durability.
- 3.Justime finishes resist corrosion and tarnish.
- 4.Finish meets the standard of ASTM-SC2.
- 5.The burying depth of embedded body is between 2"(6cm Min~3"(7.6cm)Max from the finished wall.
- 6.With replaceable check valve both behind hot and cold water 1/2" inlet. The valve can prevent counterflow, and make a high-level safety.

unit: mm[inch]

