

Vanity-Top Ceramic Basin 6777-S7-83MA

INTRODUCTION:

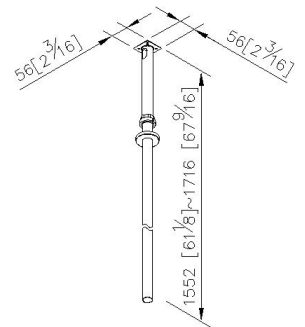
Spout of "Lucky 7" is like a growing stalk to demonstrate various styles as creative ideas of designers; spout of ceiling-mounted sensor faucet looks like a hanging vine from the roof.

Succinct pillared shape design with simplified lines of spout presents complete figure to be brief and elegant, and it fulfills the concept of "water coming from the sky" which only rain could do by combining with infrared sensor technology.



DESCRIPTION:

1. Infrared Sensor Automatic Detection.
2. Automatically detects the environment, adjusts the sensor, and has anti-interference function.
3. Built in filter prevents the blockage of sensor valve.
4. Battery request: 4 pcs of DC1.5V AA Alkaline battery.
5. Life cycle test: about 300,000 times lifespan with alkaline battery, and about 100,000 times lifespan with carbon-zinc battery.
6. Sensing time: within 0.5~1.0 second.
7. The faucet valve can bear the water pressure from 0.5 to 6 Kgf/cm².
8. Stainless steel braided hose with SANTOPRENE tube (meets NSF approval), can bear 15Kgf/cm² water pressure and 120° heat.



unit: mm[inch]

Certification:

Fixing Kits:

- 1. SUS 304 Stainless Steel Screws*1
- Hex Key 2.0mm*1
- Set Screw*2
- Clip*1

AWARD: