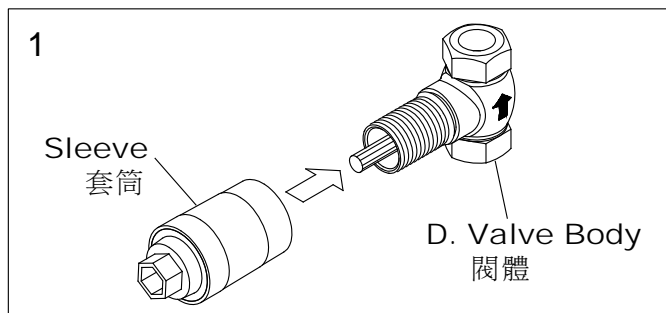


INSTALLATION INSTRUCTIONS

Water Valve

嵌牆式開關安裝說明

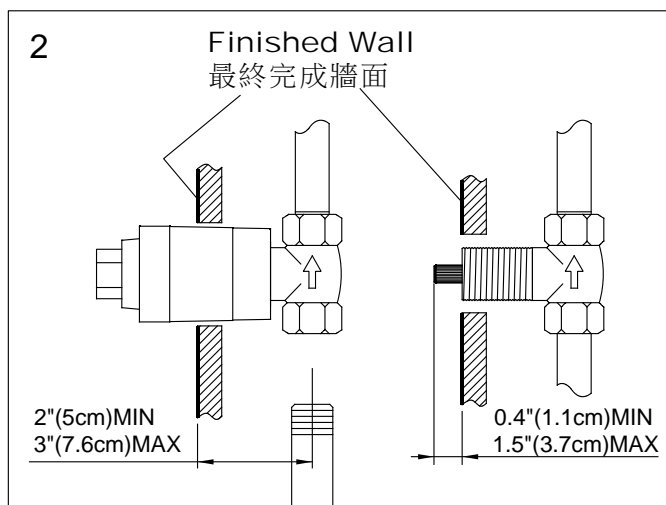


CAUTION: Prevent The Risk of Product Damage.

注意：為增加產品使用壽命，請依說明清潔供水管路。

When finish installation, turn on the valve and run for 1 minute to remove debris before using.

完成安裝後，需在使用前先把供水開關全開排水持續一分鐘。

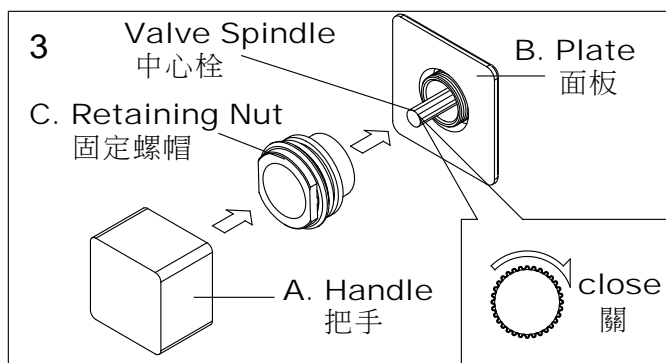


1. Use Sleeve to protect the cartridge and thread before installation.

使用套筒保護陶瓷中心栓及螺牙，必須在安裝程序前先套上。

2. Please note the distance from Finished Wall is between 2" (5cm) minimum and 3" (7.6cm) maximum; or keep the distance from 0.4" (1.1cm) to 1.5" (3.7cm) between top of valve spindle and Finished Wall for necessary conditions.

安裝牆壁內本體時需預留的牆壁厚度，牆壁內本體與最終完成牆面的距離須保持在最小2" (5cm)到最大3" (7.6cm)之間，或陶瓷中心栓與最終完成牆面保持在最小0.4" (1.1cm)到最大1.5" (3.7cm)，此為安裝必要條件。



3. Turn the Valve clockwise to closed position before install Handle. Fix the Plate against the wall with Retaining Nut, and then press Handle onto Valve Spindle till hears the "CLICK" sound to finish the installation.

先將開關順時鐘轉至關水位置。取固定螺帽將面板完全固定且貼合牆壁。然後將把手依圖示方向組入中心栓，壓到底之後會有喀噠聲，表示安裝完成。

FIXING CONTENTS

組配件內容

