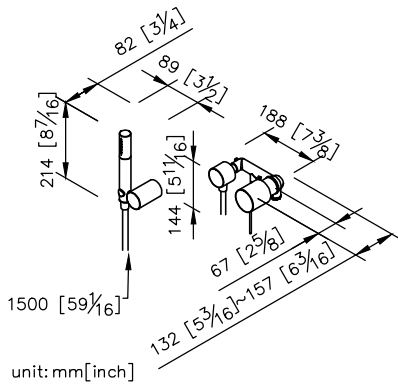


Concealed Shower Mixer 6777-X3-81MA



unit: mm[inch]

1. Material of forging body and handle meets JIS 3771 standard.
2. The mixing valve could be installed in the cemented and wood wall.
3. The burying depth of embedded body is between 2"(6cm)Min~3"(7.6cm)Max from the finished wall.
4. The faucet can stand the pressure from 0.5 to 5 kg/cm².
5. Easy to install and disassemble for replace the components.
6. 1.5 meter elastic shower hose can be extended.
7. Stainless steel braided hose with SANTOPRENE tube (meets NSF approval), can be stood 10 Kg/cm² water pressure and 120°C heat.
8. Shower hose with TPE flexible tube, can stand 10Kg/cm² water pressure and 70°C heat.
9. Lifespan of holder fastener up to 10,000 swivels test.

