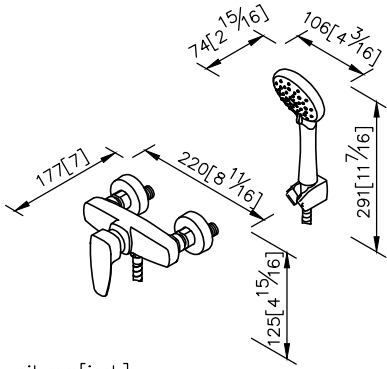


Shower Faucet 6779-93-81CP



unit: mm[inch]

- 1.Ceramic valve with KOREA ceramic disc.
- 2.Handle can be moved up to 25° to adjust water flow from closed position, hot and cold water controlled by swinging handle for 45° both right and left sides.
- 3.The available distance between two centers of wall water-outlet is 122mm to 178mm.
- 4.Thread of water supply wall outlet fits for G 1/2, R 1/2, 1/2 PT, 1/2 NPSM and 1/2 NPT.
- 5.Sand-casting material meets ISO CuZn40Pb Standard
- 6.Handle material meets JIS 3771 Standard
- 7.Brass with Chrome plated meets ASTM-SC2 standard; 5 years guarantee.

