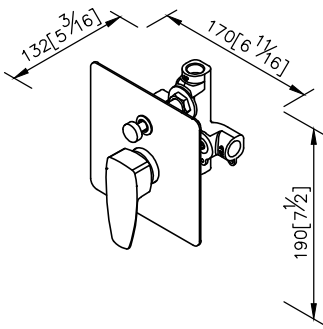


Concealed Mixer Valve W/Diverter
6779-XW-80CP



unit: mm[inch]

1. Using the C-ring provided if the water pressure under 1kgf/cm²/(14.2PSI).
2. SC2 standard of ASTM
3. G1/2 inlet.
4. With replaceable check valve both behind hot and cold water 1/2" inlet.
5. The faucet should be used at the water pressure from 1 to 4 kg/cm².
6. Handle can be moved up to 25° to adjust water flow rate from closed position, hot and cold water controlled by swinging handle for 45° both right and left sides.
7. The burying depth of embedded body is between 2"(6cm)Min~3"(7.6cm)Max from the finished wall.

