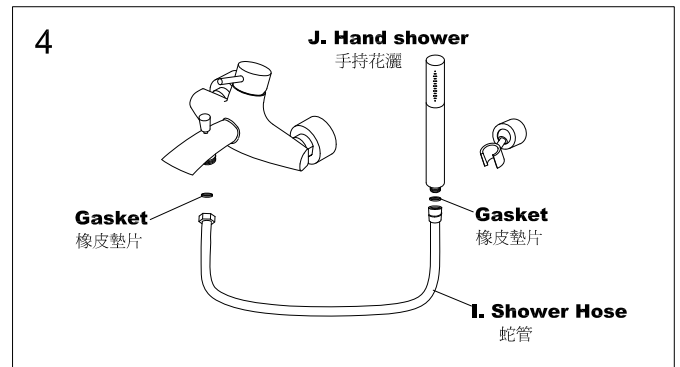
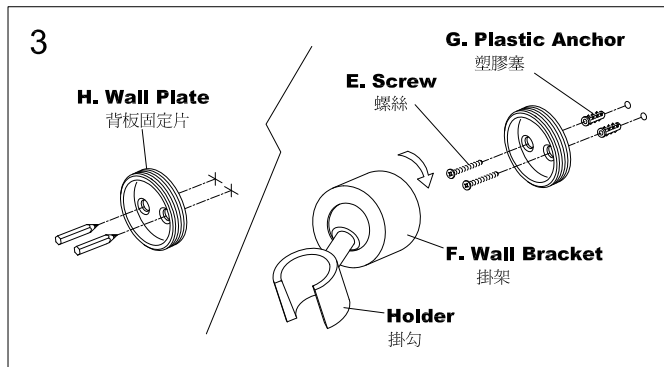
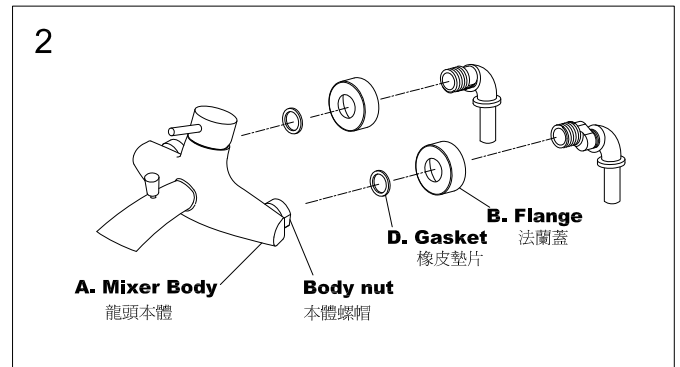
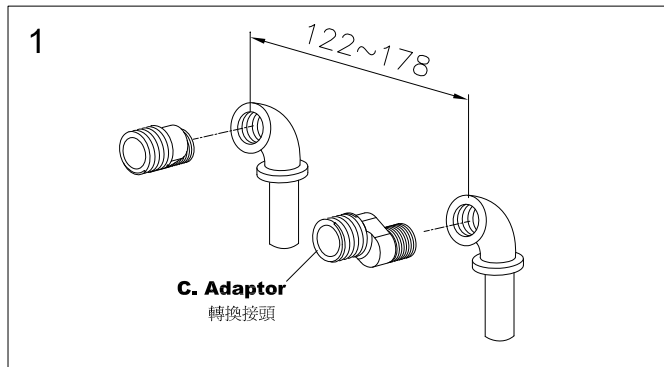


INSTALLATION INSTRUCTIONS

BATH / SHOWER MIXER

淋浴龍頭安裝說明



CAUTION : Risk Of Product Damage.

注意：為增加產品使用壽命，請依說明清潔供水管路。
When finished installation, turn the valve on and run for 1 minute before using.
完成安裝後，需在使用前先把供水開關全開排水持續一分鐘。

- The available distance between two centers of wall water-outlet can be 122~178mm. Apply pipe compound or thread sealant tape to the thread of **Adaptor** 1/2" end, and screw it into wall water-outlet as Fig.1 shown.
凡牆壁上冷熱出水孔中心距離在122-178mm者，皆可適合安裝本產品。將轉換接頭1/2"牙塗上管牙膠或包覆止洩帶，再鎖入牆壁出水口，如 Fig.1 所示。
- Cover **Flanges** onto both 3/4" end of **Adaptors**, then insert **Gaskets** into each body-nut and screw the body-nut onto **Adaptors** 3/4" end and tighten fixed as Fig.2 shown.
將2法蘭蓋各別裝上轉換接頭的3/4"那邊，然後將墊片各別裝入本體螺帽，並且將本體螺帽鎖在轉換接頭3/4"那端鎖緊固定住如 Fig.2 所示。
- Using **Wall Plate** as a template, mark and drill at proper position then Install **Wall Plate** on the wall. Screw **Wall Bracket** onto **Wall Plate** and tighten it. Rotate the **Holder** to correct position as the Fig.3 shown.
先決定花灑掛架欲安裝之位置，利用背板固定片上兩孔用鉛筆畫兩個基準點，再使用6mm鑽頭於牆上記號鑽孔。將掛架背板固定於牆上之後，將掛架順時針鎖入背板至鎖緊。將掛勾轉至正確位置如 fig.3所示。
- Connect **Shower Hose** with gasket to **Mixer Body** and **Hand Shower** as Fig.4 shown.
將蛇管含墊片固定在龍頭本體與手持花灑。如 Fig.4 所示。

FIXING CONTENTS

組配件內容

