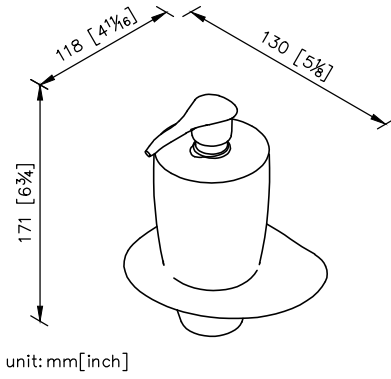


Soap Dispenser
6781-25-80CP



- 1.Brass of forging body meets JIS 3771 standard.
- 2.Premium metal construction for durability.
- 3.Finishes resist corrosion and tarnish.
- 4.Finish meets the standard of ASTM-SC2.
- 5.Curved shape and smooth surface help to reduce water stains.
- 6.Correctly installed product's loading is 2 kgf.
- 7.Transparent glass soap dispenser.
- 8.1.5cc for each dispense.
- 9.Capacity: 340ml.
- 10.Coordinates with other products in Ether collection.

