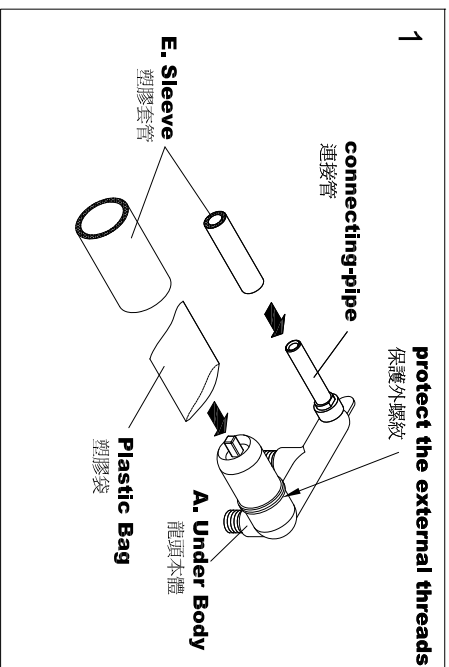


1



INSTALLATION INSTRUCTIONS

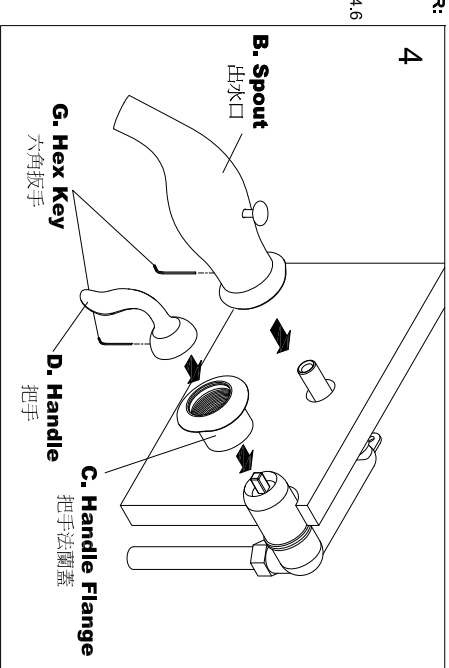
SINGLE-HANDLE LAVATORY WALL MOUNT FAUCET

單把手壁式冷熱龍頭安裝說明

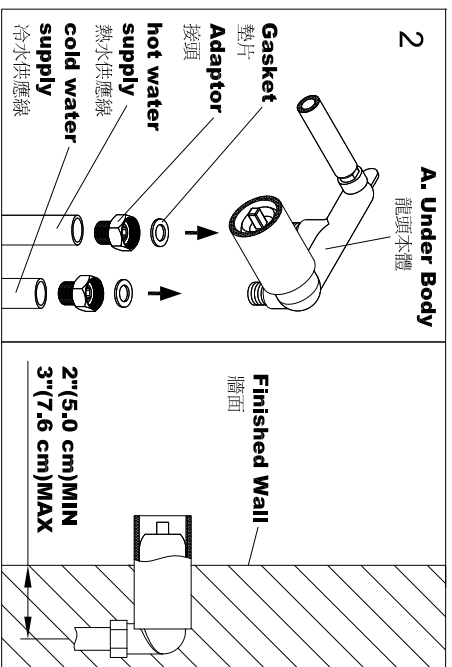
PATENT NUMBER:
專利號碼:
D137662
M424112
ZL 2010 3 0221394.6

- Using **Sleeves** and **Plastic Bag** provided to protect the external threads and connecting-pipe before install as fig.1 shown.
安裝前，使用隨附塑膠套管及塑膠袋保護外螺紋及連接管。(圖1)
- Install **Under Body** and connect hot and cold water supply lines with **Adaptors** (hot water supply is usually at left side). Pay attention to **minimum 2.0" (5cm)** and **maximum 3.0" (7.6cm)** dimensions for mounting information as Fig.2 shown.
安裝牆壁內本體，以接頭連接冷熱水供水管線(通常熱水是安置在左邊水道)。牆內本體與牆面的距離須保持在最小2.0"(5cm)到最大3.0"(7.6cm)之間,此為安裝時的必要條件。(圖2)
- Remove **Sleeves, Plastic Bag** from **Under Body** as Fig.3 shown.

4



2



- Hand-tight **Handle Flange** on **Under Body** first, and install **Spout** and **Handle** with **set screws** as Fig.4 shown.
以手旋緊法蘭蓋後，分別使用埋頭螺絲固定出水口及把手。(圖4)

- Install **Adjustable Shower Holder / Hand Shower (option)**(Fig.5)

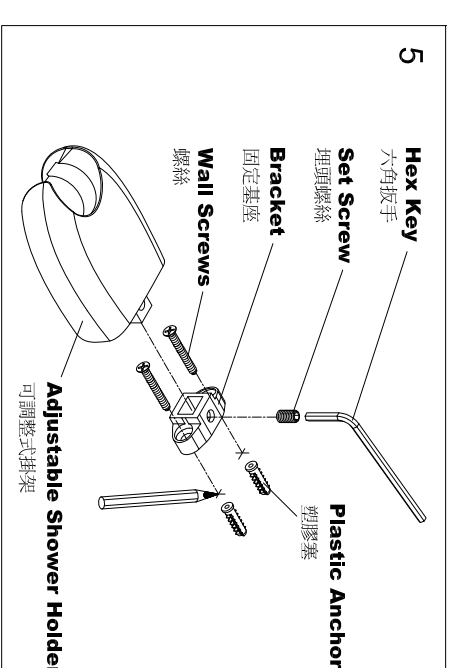
5-1. Select a proper position for product, and using the **Bracket** as a template to mark two centers of mounting holes on the wall.
請先選擇適合安裝的位置，將底座放在牆上為模板作鑽孔記號。

5-2. Using a 6mm drill-bit, drill holes on marked positions to the depth of 4cm, then insert the **Plastic Anchors** in the holes on wall and fix **Bracket** with **Wall Screws**. Please keep the set screw hole of **Bracket** upward.
使用6mm的鑽頭，在作記號的位置鑽深4mm的孔，填入塑膠塞於孔內後以螺絲固定底座。注意底座上的螺絲孔須朝上。

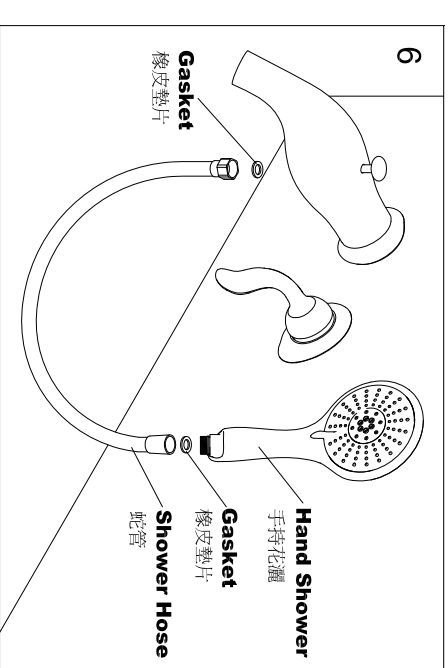
5-3. Insert the click-join of **Adjustable Shower Holder** into the square hole of **Bracket**, and then tighten **Set Screw** to fix the **Adjustable Shower Holder** with **Bracket**.
將可調整式掛架套進底座上的方型孔洞後，再鎖緊上方的埋頭螺絲以固定本體和底座。

- Connect **Shower Hose** with **Gaskets** to **Spout** and **Hand Shower** as Fig.6 shown.
將蛇管(含墊片)連接在出水口與手持花灑之間。(圖6)

5



6



FIXING CONTENTS

組配件內容

