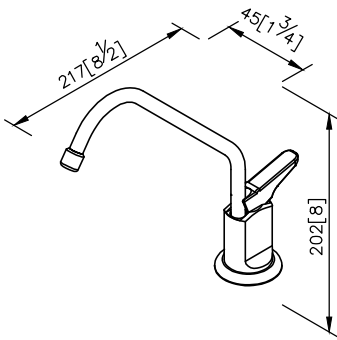


Water Drinking Faucet 6783-G1-80CP



unit: mm[inch]

1. Material is lead-free brass with chrome plated, makes the drinking faucet possess the character of acid-resisting, heat-resistant and erode-resisting. The surface is without the chemical painting to protect the users from harm.

2. Fitting for all kind of R/O reverse osmosis water drinking systems.

