

INSTALLATION INSTRUCTIONS

TWO-HANDLES LAVATORY FAUCET

雙把手檯面龍頭安裝說明

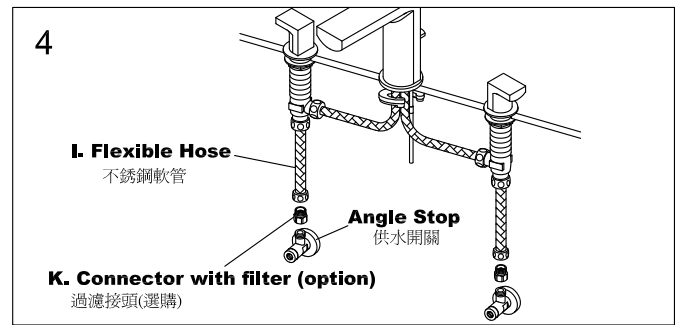
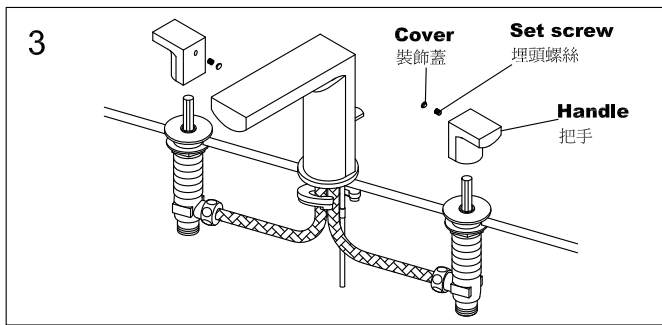
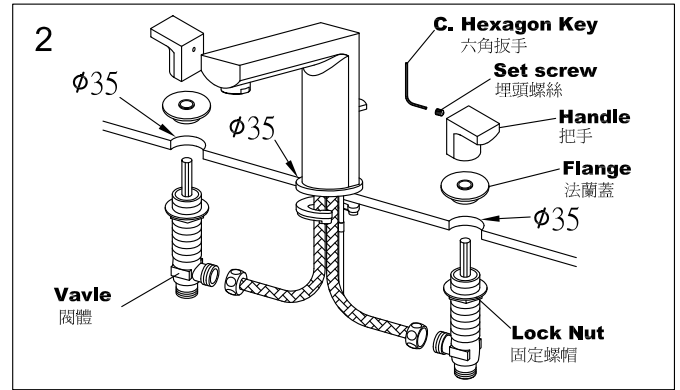
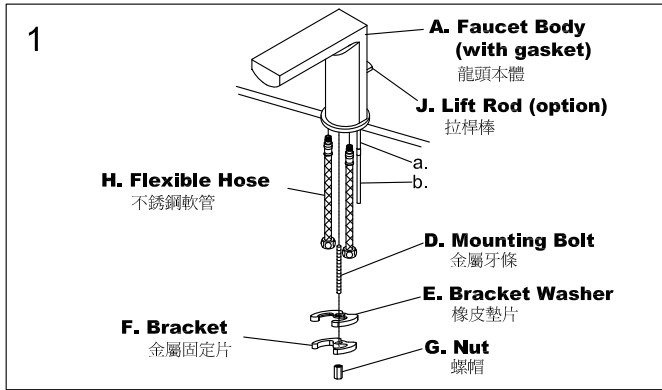
PATENT NUMBER:

專利號碼:

001018899-0001

001018899-0003

D 129782



CAUTION : Risk Of Product Damage.

注意：為增加產品使用壽命，請依說明清潔供水管路。

a./ Turn the angle stops (water suppliers) on and run for 1 minute before connect supply hose (flexible hose) to faucet body. or b./

安裝編織管之前，先把供水開關全開排水一分鐘。或 b./

b./ Connect and tighten the faucet and angle stops with supply hose (flexible hose) to finish installation, then remove the aerator, fully turn on the hot and cold water valves on faucet and run for 1 minute, then turn off the water and reinstall the aerator.

把龍頭、供水開關及編織管接好並鎖緊之後，把起泡器移開，把熱水及冷水全部轉開一分鐘，然後把水關掉再把起泡器裝回去。

1. Screw **Flexible Hoses** and **Mounting Bolt** into **Faucet Body (with gasket)**, insert **Flexible Hoses** and **Mounting Bolt** through basin hole in fixture. Place **Bracket (with Bracket Washer)** and **Nut** onto **Mounting Bolt**, position faucet on fixture, then tighten **Nut** securely, meanwhile, assemble **Lift Rod (option)** with **Faucet Body**. (Fig.1)

將冷熱進水不銹鋼軟管和金屬牙條鎖緊固定於龍頭本體，再將冷熱進水不銹鋼軟管和金屬牙條穿過洗臉盆(檯)洞口。從金屬牙條下方依序套入橡皮墊片、金屬固定片、和螺帽，確認龍頭方向位置後，鎖緊螺帽固定龍頭即可。同時，把拉桿(選擇性零件)裝在龍頭本體上。(Fig.1)

2. Disassemble **Handles** with Hexagon Key, and remove **Flange** from **Valves** before installing. Insert **Valves** from underside through the holes of Deck and fasten **Flange**, then align **Valves** so that the tee ends(outlet) face to **Spout** and secure **Valves** by tightening **Lock-Nuts**. (Fig.2)

如Fig.2 所示安裝前用六角扳手將把手拆下，並且從閥體上將法蘭蓋拆下，把閥體從檯面下方穿過孔並且鎖上法蘭蓋，然後將閥體的出水口端面向出水口並用固定螺帽鎖緊閥體。

3. Ensure that **Handles** are properly aligned and **Valves** are in closed position, then tighten **Set screw** and insert **Cover**. (Fig.3)

確定閥體開關都是關閉的並且把手都有對齊，然後鎖緊埋頭螺絲，並且置入裝飾蓋。(Fig.3)

4. Install **Connector with filter** onto the outlet of **Angle Stop** first, then connect **Flexible Hoses** from **Valves** to **Spout** and **Connector with filter**.

先連接過濾接頭到進水開關，然後連接不銹鋼軟管從閥體到出水口及過濾接頭。(Fig.4)

FIXING CONTENTS

組配件內容

