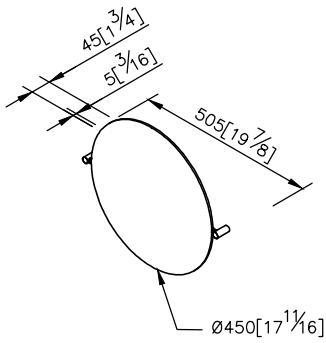
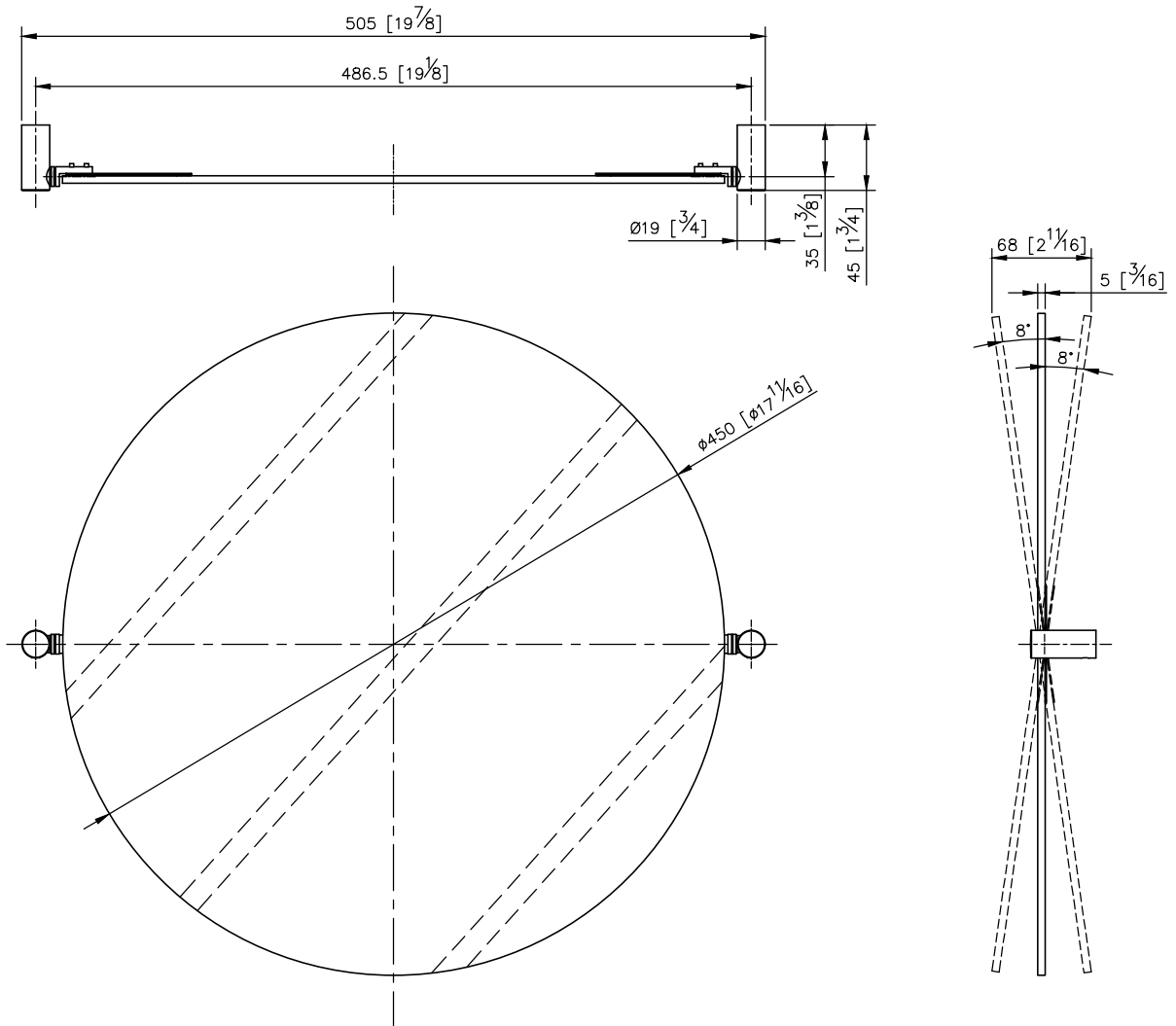


Swivel Mirror
6807-77-80CP



unit: mm[inch]

- 1.Brass with Chrome plated meets ASTM-SC2 standard.
- 2.The simply design concept could be collocated with diverse space.
- 3.The size of mirror 450*450*5mm.
- 4.Explosion-proof film (made in Germany) over the entire backside.
- 5.Correctly installed product's loading is 2 kgf.
- 6.Coordinates with other products in Still One collection.



Mounting Template Specification

