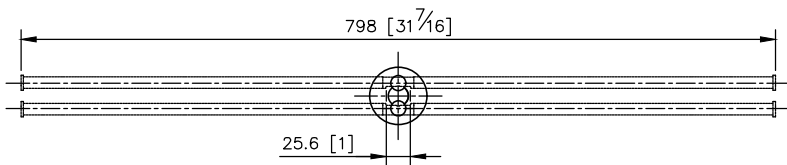
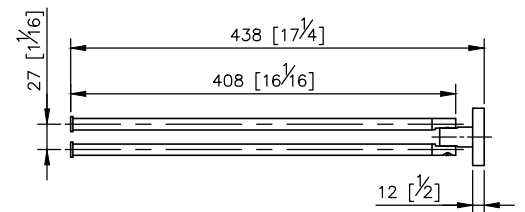
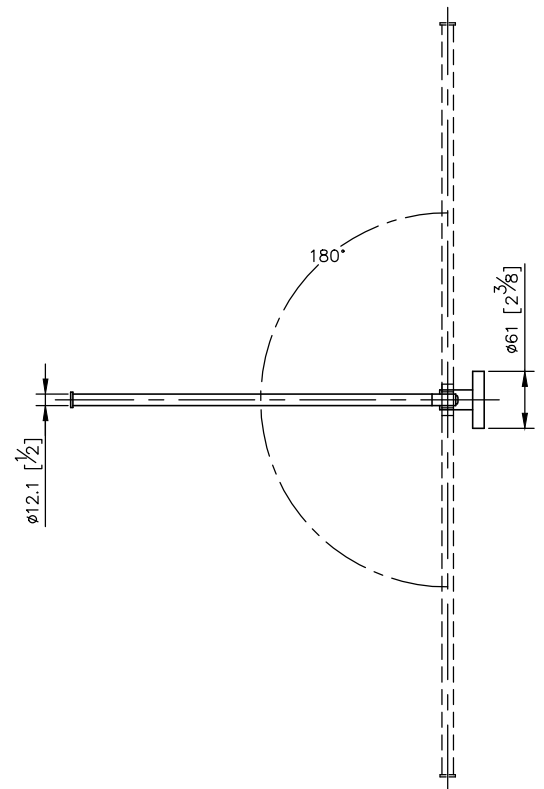


unit: mm[inch]



**Mounting Template Specification**

