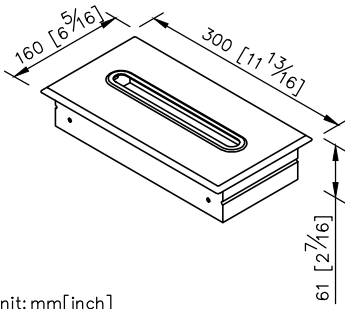


Tissue Dispenser
6810-44-8000



unit: mm[inch]

- 1.High Quality Stainless Steel
- 2.Premium metal construction for durability
- 3.Justime finishes resist corrosion and tarnish
- 4.The simply design concept could be collocated with diverse space
- 5.Material of container: Iron with coating
- 6.Coordinates with other products in 6810 collection

