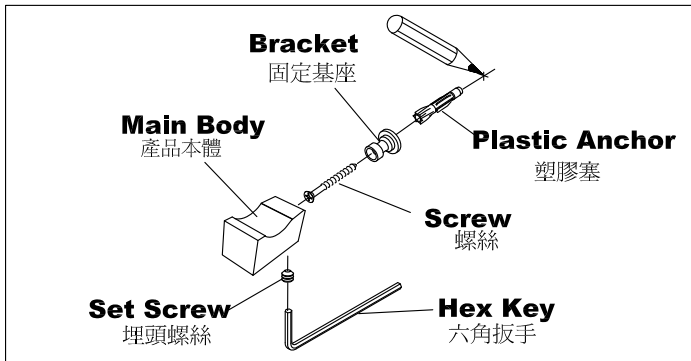


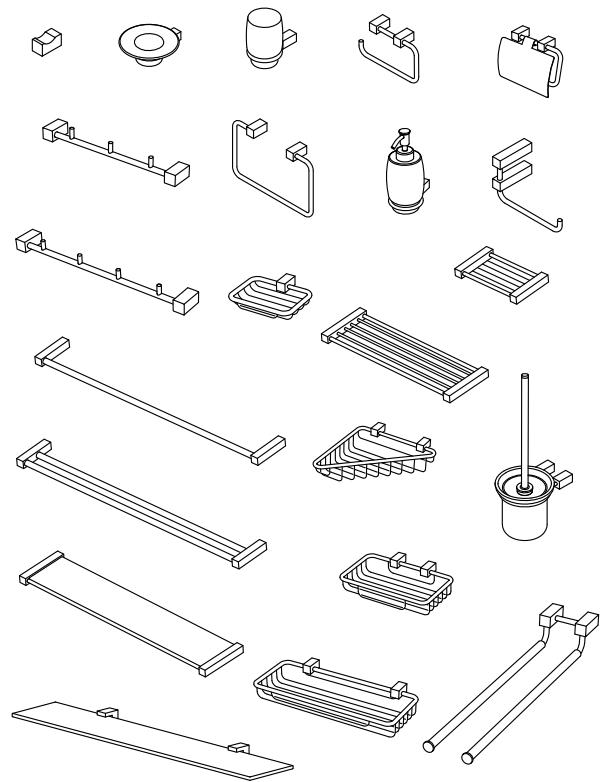
# INSTALLATION INSTRUCTIONS

## 6817安裝說明

1. Select proper position for product and mark center of mounting hole on wall. For double **Bracket** fixing, mark centers of mounting holes by using a spirit level and refer to the actual product for distance between hole centers.  
請先選取預定安裝的位置,並在牆壁上畫上預定鑽孔記號,如果要安裝雙背板基座的產品,請先確認鑽孔的位置是在同一水平線上,並以產品比對確認鑽孔的距離。
2. Using a 6mm drill-bit, drill the hole(s) in marked position(s) to 4cm depth. Insert the **Plastic Anchor(s)** to the hole(s) on the wall, put the **Screw(s)** through the **Bracket(s)**, and then screw into the **Plastic Anchor(s)**.  
當安裝在水泥牆,使用1/4英寸鑽頭,鑽孔深度4公分,嵌入塑膠塞並使之齊平於牆面,將固定基座以螺絲鎖緊在牆上。
3. Use the **Hex Key** to loosen the **Set Screw** of **Main Body**. Slide the **Main Body** over the **Bracket** and tighten **Set Screw** ensuring the orientation of the **Main Body** is correct.  
用隨附六角扳手先鬆開本體下方的埋頭螺絲,使本體能順利套進固定基座後,再鎖緊下方的埋頭螺絲,完成安裝程序。



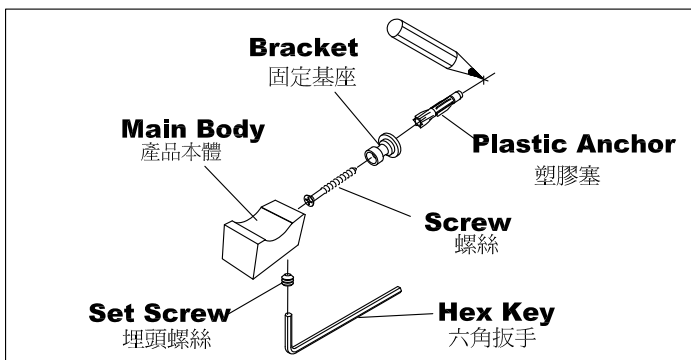
## 6817 SERIES:



# INSTALLATION INSTRUCTIONS

## 6817安裝說明

1. Select proper position for product and mark center of mounting hole on wall. For double **Bracket** fixing, mark centers of mounting holes by using a spirit level and refer to the actual product for distance between hole centers.  
請先選取預定安裝的位置,並在牆壁上畫上預定鑽孔記號,如果要安裝雙背板基座的產品,請先確認鑽孔的位置是在同一水平線上,並以產品比對確認鑽孔的距離。
2. Using a 6mm drill-bit, drill the hole(s) in marked position(s) to 4cm depth. Insert the **Plastic Anchor(s)** to the hole(s) on the wall, put the **Screw(s)** through the **Bracket(s)**, and then screw into the **Plastic Anchor(s)**.  
當安裝在水泥牆,使用1/4英寸鑽頭,鑽孔深度4公分,嵌入塑膠塞並使之齊平於牆面,將固定基座以螺絲鎖緊在牆上。
3. Use the **Hex Key** to loosen the **Set Screw** of **Main Body**. Slide the **Main Body** over the **Bracket** and tighten **Set Screw** ensuring the orientation of the **Main Body** is correct.  
用隨附六角扳手先鬆開本體下方的埋頭螺絲,使本體能順利套進固定基座後,再鎖緊下方的埋頭螺絲,完成安裝程序。



## 6817 SERIES:

