

Soap Dispenser 6818-25-80CP

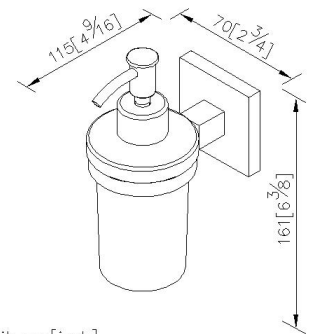
INTRODUCTION:

Combine the straight line with precise right angle, the square body symbolize steady, elevation and also high quality.



DESCRIPTION:

- 1.Brass of body meets JIS 3604 standard.
- 2.Premium metal construction for durability
- 3.Justime finishes resist corrosion and tarnish
- 4.Finish meets the standard of ASTM-SC2.
- 5.The simply design concept could be collocated with diverse space
- 6.Correctly installed product's loading is 2 kg f
- 7.Frosted glass soap dispenser
- 8.1.0cc for each dispense
- 9.Capacity: 140ml
- 10.Coordinates with other products in Boulevard collection



unit: mm[inch]

Certificaion:

Fixing Kits:

- 1.SUS 304 Stainless Steel Screws*2
- Plastic Anchors*2
Material of Wall Mount Bracket: Steel with zinc plating*1

AWARD: