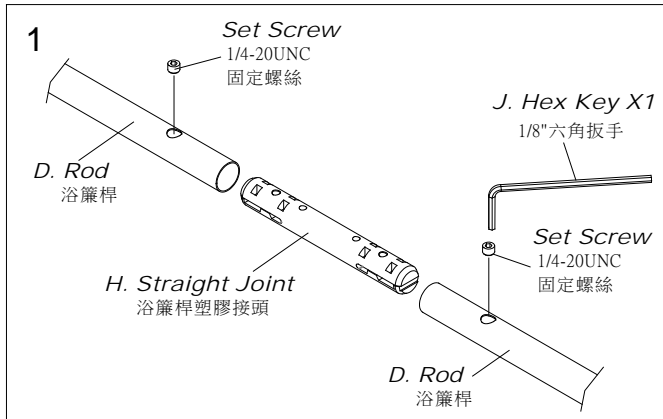


INSTALLATION INSTRUCTIONS

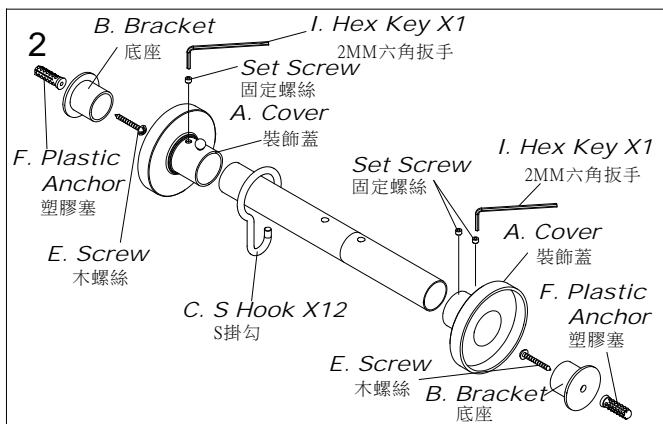
SHOWER CURTAIN ROD

浴簾桿組安裝說明



1. Insert *Straight Joint* into *Rod*, aim the screw holes, and then fix them together with *Set Screw* tightly; repeat the assembling for the other *Rod*.

將浴簾桿塑膠接頭塞入浴簾管端單邊有側孔的位置,用六角扳手將固定螺絲使浴簾桿塑膠接頭與浴簾桿固定,讓浴簾桿塑膠接頭卡緊在管內,以同樣的組裝程序組裝另一支浴簾桿,並確認兩支浴簾桿是為緊密接合的。



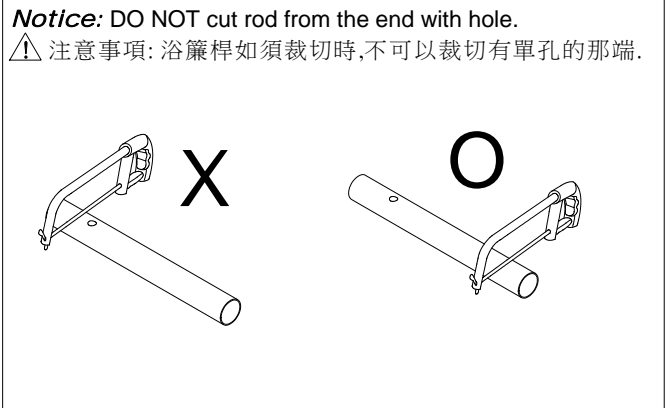
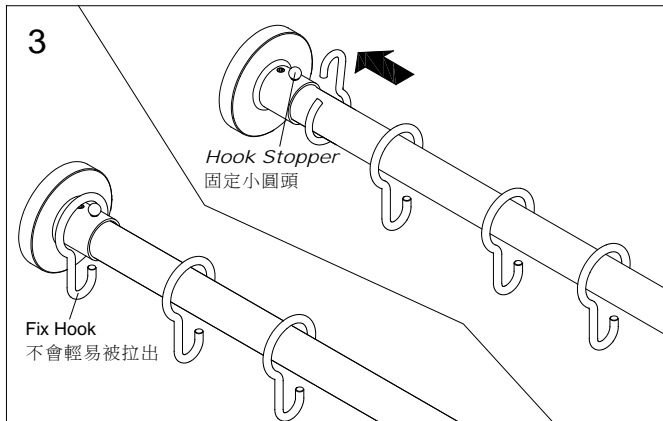
2. Make sure installation wall is flat first, and then select proper positions for installation. Use 6mm drill bit to drill a 4cm depth hole, insert *Plastic Anchor* and make it flush on wall. Fix *Bracket* with *Screw*. Repeat the steps for the other *Bracket*.

Slide all *S Hooks* and two *Covers* from two ends of *Rod*, insert *Brackets* into *Rod*, and then fix *Covers* with *Set Screws* as figure shows.

確認安裝的牆面是平整的,選擇要安裝的位置,使用6mm鑽頭鑽孔,鑽孔深度4公分,嵌入塑膠塞並使之齊平於牆面,然後將木螺絲鎖於底座上,另一底座以同樣方式固定在牆面上。浴簾掛勾12個先裝入浴簾桿,再將裝飾蓋套入浴簾桿兩端,對準底座,將浴簾桿與底座銜接,將裝飾蓋套上底座後,裝飾蓋螺絲孔須朝上,用六角扳手將固定螺絲鎖緊固定裝飾蓋和浴簾桿。(另一端須做相同的安裝程序)。

3. Hook to fix the first *S Hook* on the *Stopper*.

安裝完成後,其一裝飾蓋有一個小固定圓頭,將第一個S掛勾缺口很上,穿過小固定頭,讓第一個S掛勾不會輕易被拉動。再將所購買的浴簾布裝於S掛勾上。



FIXING CONTENTS

組配件內容

