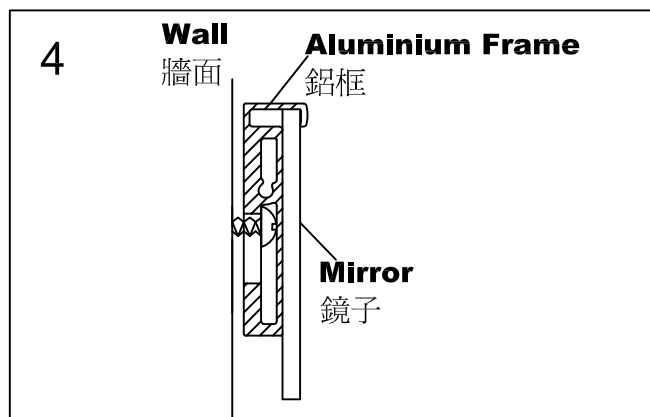
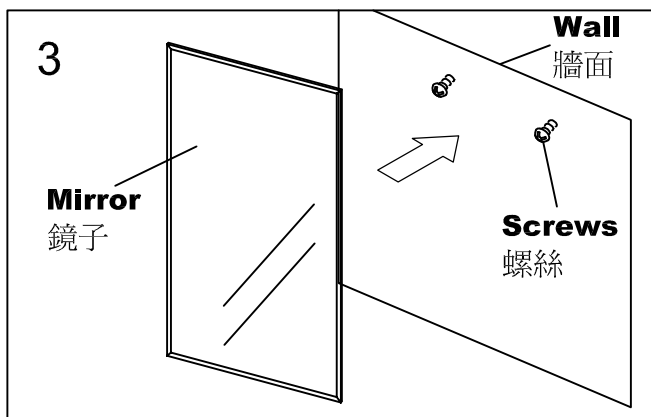
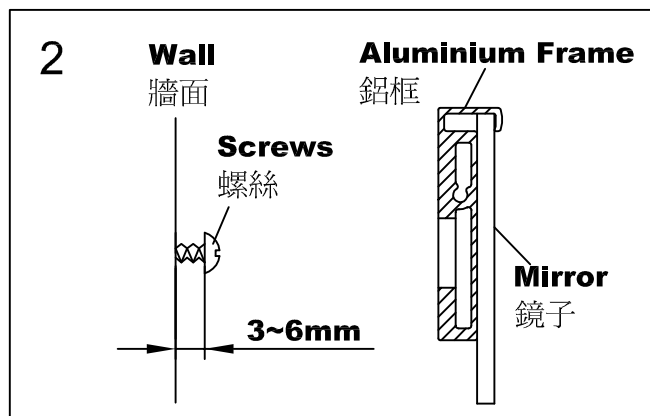
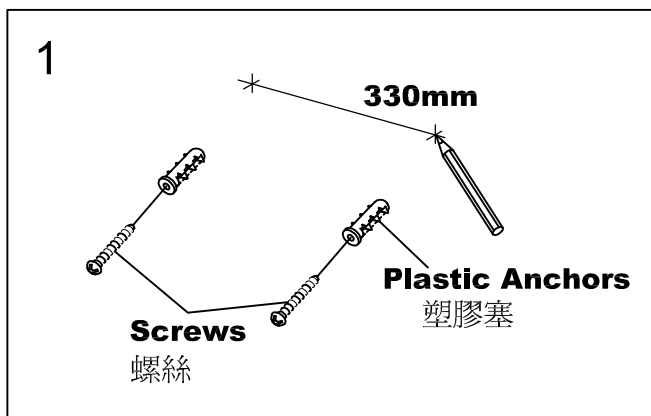


INSTALLATION INSTRUCTIONS

MIRROR

鏡子組



1. Select a proper position and mark two drilling centres which are 330mm apart on a horizontal line as fig. 1 shown.
在適當位置的水平線上:距離330mm的地方, 用鉛筆標示兩個鑽孔位置點. 如圖示1.
2. Using the 6mm drill-bit to drill the holes on marked places to the depth of 4cm, then insert the **Plastic Anchors** in the holes and fix the **Screws** on the **Wall** as fig. 1 shown.
使用1/4英吋(6mm)鑽頭,鑽孔深度4cm, 插入塑膠塞使之齊平於牆面, 螺絲鎖在牆面上. 如圖示1
3. Please save a space about 3-6 mm between the **Screws** fixed and the **Wall** for hanging the **Mirror** on the **Screws** as fig. 2 shown.
螺絲裝入後不可鎖平於牆面, 須預留3~6mm空間, 將鏡子掛於螺絲上. 如圖示2.

FIXING CONTENTS

組配件內容

