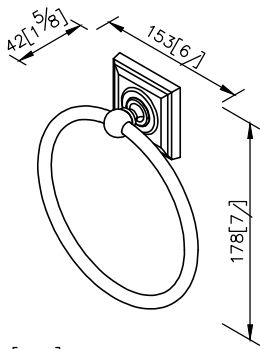
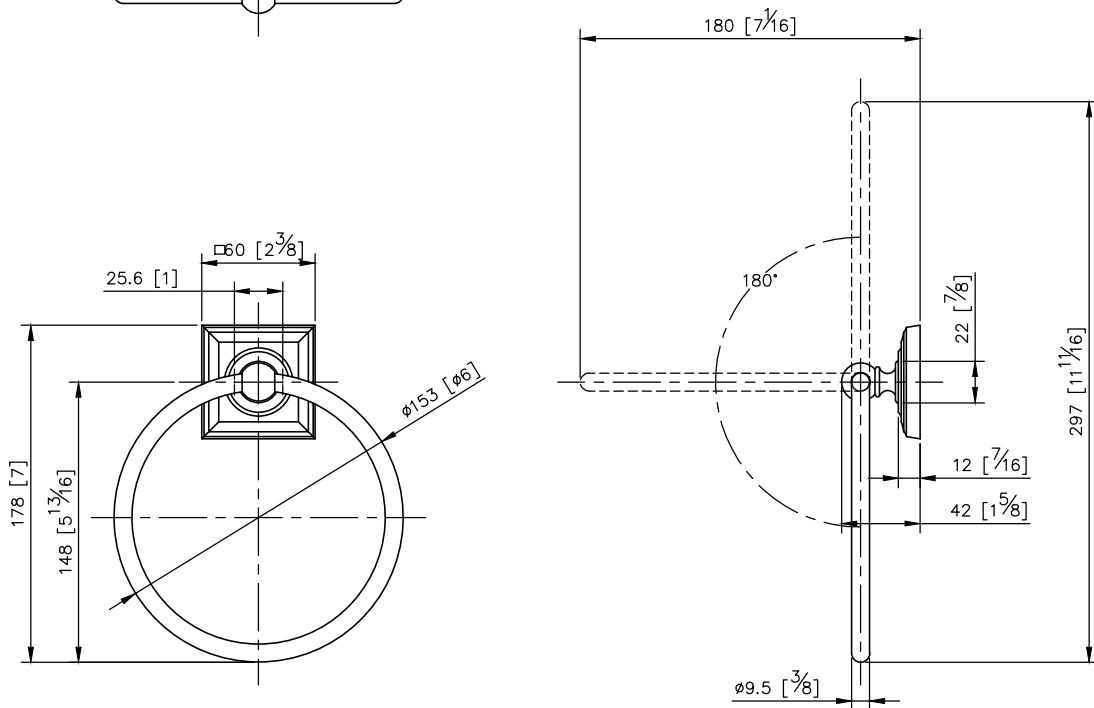
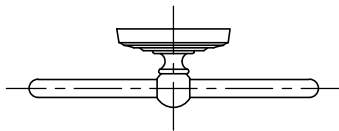


Towel Ring
6857-60-80CP

- 1.Brass of forging body meets JIS 3771 standard.
- 2.Premium metal construction for durability.
- 3.Justime finishes resist corrosion and tarnish.
- 4.Finish meets the standard of ASTM-SC2.
- 5.Correctly installed product's loading is 4 kgf.
- 6.Coordinates with other products in 6857 collection.



unit: mm[inch]



Mounting Template Specification

