

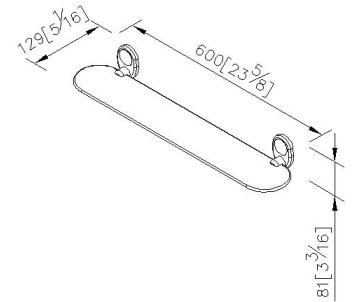
Shelf
6860-70-81CP

INTRODUCTION:

A compact round pebbles was formed by the long accumulation. Obtain the inspiration from the pebble, the base had been designed with simple characteristic.

DESCRIPTION:

- 1.Brass of forging body meets JIS 3771 standard.
- 2.Premium metal construction for durability.
- 3.Justime finishes resist corrosion and tarnish.
- 4.Finish meets the standard of ASTM-SC2.
- 5.Correctly installed product's loading is 5 kgf.
- 6.Tempered glass(600*110*6mm).
- 7.Coordinates with other products in 6860 collection.



unit:mm[inch]

Certificaiton:

Fixing Kits:

1. SUS 304 Stainless Steel Screws *4
2. Plastic Anchors *4



AWARD:

