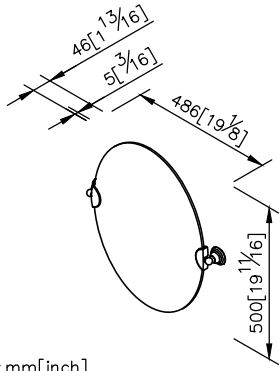
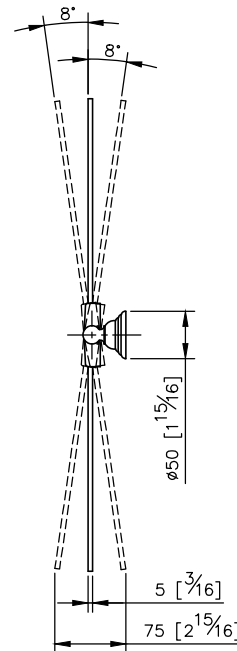
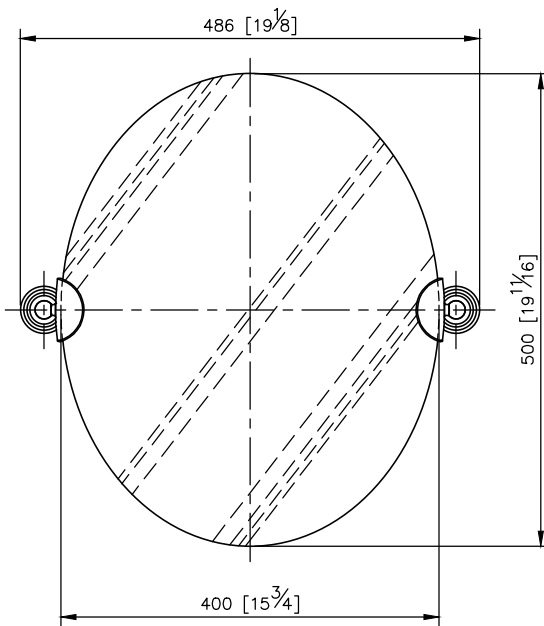
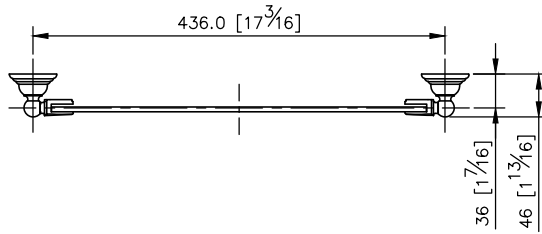


Swivel Mirror 6873-77-80CP



1. Brass forging mounting base and fixing bracket meet JIS 3771 standard.
2. Chrome plated finish meets the standard of ASTM-SC2.
3. Mirror with German explosion-proof membrane on its backside, mirror fragments won't fall down when it's broken.
4. With fitting tool kit.
5. Mirror size 500*400*5mm.
6. Coordinates with other products in 6873 collection.

unit: mm[inch]



Mounting Template Specification

