

Toilet Tissue Holder 6874-40-80CP

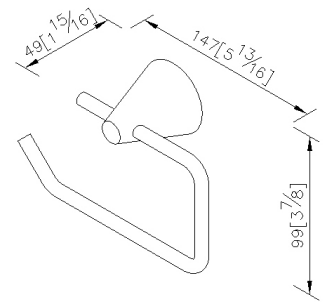
INTRODUCTION:

Geometric figures depict an elegant and beautiful tissue holder. Chrome plated surface has a smooth touching texture, turning a simple holder into an artistic decoration that upgrades the quality of bathing space.



DESCRIPTION:

- 1.Brass of forging mounting base meets JIS 3771 standard.
- 2.Brass of tissue holder ring meets JIS 3604 standard.
- 3.Justime finishes resist corrosion and tarnish.
- 4.Chrome plated finish meets the standard of ASTM-SC2.
- 5.Vertical force could support a static load of 5 Kgf.
- 7.The cone pedestal of the bathroom accessories could increase the elegance for the environment.
- 8.Coordinates with other products in 6874 collection.



unit:mm[inch]

Certification:

Fixing Kits:

- 1.SUS 304 Stainless Steel Screws*2
- Plastic Anchors*2
- Material of Wall Mount Bracket: Steel with zinc plating*1

AWARD: