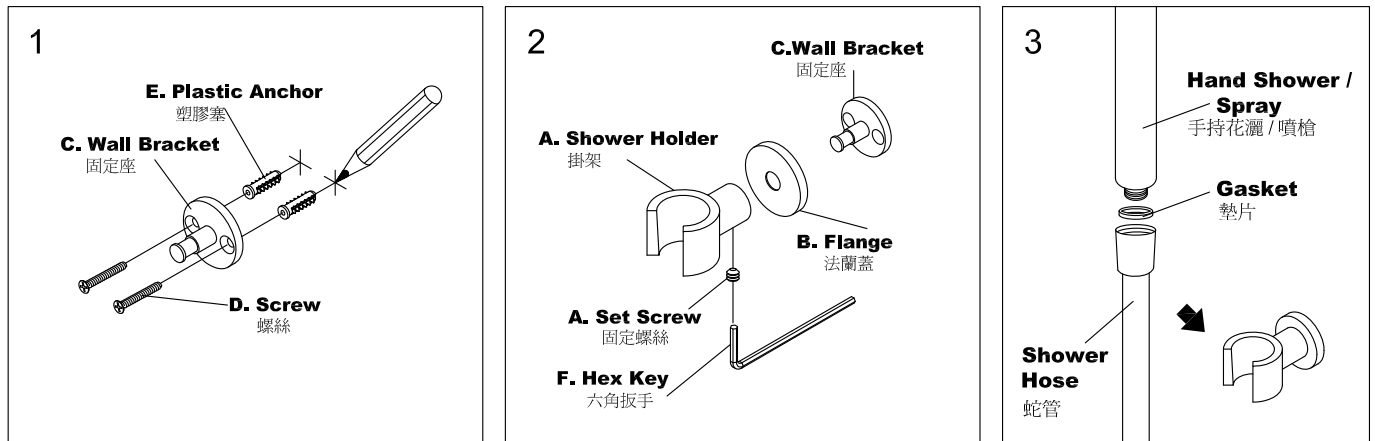


# INSTALLATION INSTRUCTIONS

## A. SHOWER HOLDER

花灑掛架組安裝說明



1. Select proper position for product and mark center of mounting hole on wall.  
請先選取預定安裝的位置,並在牆壁上畫上預定鑽孔記號.
2. Using a 6mm drill-bit, drill the holes in marked position to a depth of 4cm. Insert the **Plastic Anchors** into the holes on the wall, put the **Screw(s)** through the **Wall Bracket**, then screw into the **Plastic Anchors**.  
當安裝在水泥牆,使用1/4英寸鑽頭,鑽孔深度4公分,填入塑膠塞並使之齊平於牆面,將固定座以螺絲鎖緊在牆上.
3. Slide the **Flange** over the **Wall Bracket**, then use the **Hex Key** to loosen the **Set Screw** in the **Shower Holder**. Slide the **Shower Holder** over the **Wall Bracket** and tighten **Set Screw** ensuring the orientation of the **Shower Holder** is correct as fig.2 shown.  
將法蘭蓋置入固定座中再用隨附六角板手先鬆開花灑掛架下方的固定螺絲,使固定座能順利套進花灑掛架後,再鎖緊下方的固定螺絲,完成安裝程序如圖示2.

## FIXING CONTENTS

組配件內容

A. Shower Holder × 1 Set Screw x1 花灑掛架+固定螺絲	B. Flange × 1 法蘭蓋	C. Wall Bracket × 1 固定座	D. Screw × 2 螺絲	E. Plastic Anchor × 2 塑膠塞	F. Hex Key × 1 六角扳手

## B. HAND SHOWERS / SHOWER HOSE / SPRAY

手持花灑 / 花灑蛇管 / 噴槍

1. Connect **Hand Shower** or **Spray** With **Hose**, and then place the **Hand Shower** on the Holder as fig.3 shown.  
再將所選購的手持花灑或噴槍接上蛇管,插於掛架內,如圖示3.

**WALL BRACKETS COULD COLLOCATE WITH VARIOUS JUSTIME HAND SHOWERS / SPRAY.**

可搭配巧時代(JUSTIME)其他造型手持花灑/噴槍.

