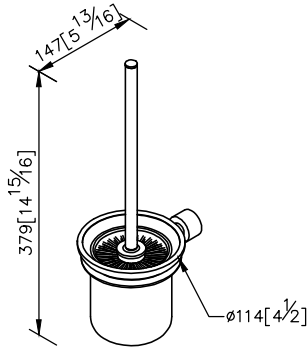


Toilet Brush Holder 6880-80-80CP

- 1.Brass of brush holder ring and cylinder meet JIS 3604 standard.
- 2.Brass forging mounting base meets JIS 3771 standard.
- 3.Justime finishes resist corrosion and tarnish.
- 4.Chrome plated finish meets the standard of ASTM-SC2.
- 5.Vertical force could support a static load of 2 Kgf.
- 6.Frosted brush glass holder is easy to be maintained.
- 7.Standard size of brush could be easily replaced to keep clean.
- 8.Coordinates with other products in 6880 collection.



unit: mm[inch]

