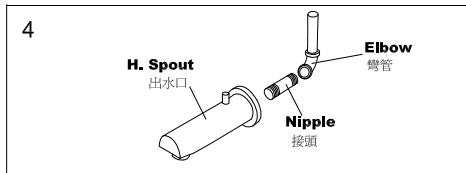
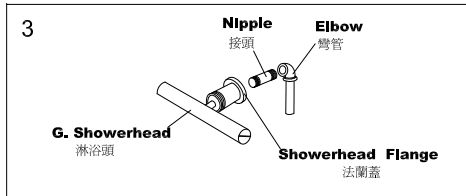
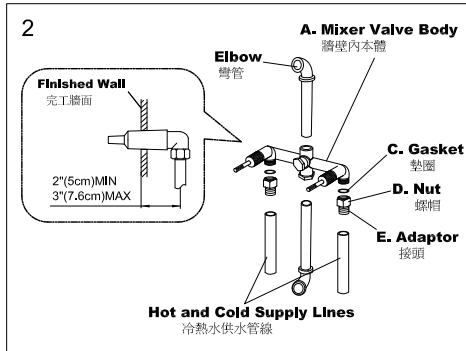
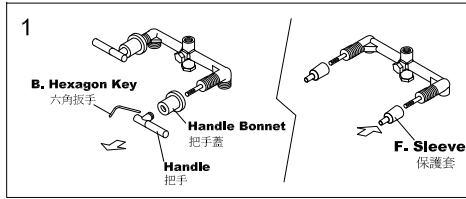


INSTALLATION INSTRUCTIONS

Wall-Mount Bath & Shower Mixer 嵌牆式淋浴組安裝說明

PATENT NUMBER:
專利號碼:
000127162-0004
D100483
D101849
D090638
GB 3017974
ZL 200430065122.6
US D511,807 S



CAUTION : Risk Of Product Damage.
注意：為增加產品使用壽命，請依說明清潔供水管路。
When finished installation, turn the valve on and run for 1 minute before using.
完成安裝後，需在使用前先把供水開關全開排水持續一分鐘。

NOTE: Unscrew the **Handles** and **Handle Bonnet** from the **Mixer Valve Body** First. Using the **Sleeves** provided to protect the external threads while installation if required.

注意從包裝盒中取出：安裝前，先將把手與把手蓋從牆壁內本體鬆開取下。如須使用保護套保護陶瓷中心柱及螺牙，必須在安裝程序前先用套上。

1. Reserved the Thickness of Wall (Fig. 2)
須預留的牆壁厚度 (圖.2)

Pay attention to minimum 2" (5cm) and maximum 3" (7.6cm) dimensions for mounting information as shown.
牆壁內本體與完工牆面的距離須保持在最小2"(5cm)到最大3"(7.6cm)之間，此為安裝時的必要條件。

2. Install Mixer Valve Body and Shower Lines (Fig. 2)
安裝牆壁內本體和淋浴供水管線 (圖.2)

- Connect hot and cold water supply lines. (Hot water at left side usually)
連接冷熱水供水管線。(通常熱水是安置在左邊水道)
- Compound or tape all connections, Assemble 1/2" pipe and 1/2" pipe elbow into **Mixer Valve Body**.
先將所有接頭塗上管牙膠或包覆止洩帶，再組裝 1/2"水管到牆壁內本體，同時並組裝 1/2" 彎頭到 1/2"水管。

3. Install Showerhead (Fig. 3)
安裝淋浴噴頭 (圖.3)

Place **Showerhead Flange** over the thread-end of **Showertube** before Install, apply pipe compound to both ends of **Showertube** and 1/2" elbow outlet, install **Showertube** into elbow, and install **Showerhead** to the other end of showertube.
將法蘭蓋從淋浴管的接牆壁端套入，再將其接牆壁端與牆內 1/2" 彎頭內牙，塗上管牙膠或包覆止洩帶，接好鎖套，最後裝上淋浴頭，即可完成淋浴噴頭安裝。

4. Install Tub Spout (Fig.4)
安裝出水口 (圖.4)

Apply pipe compound to nipple and elbow, then install the **Spout**.
塗佈管牙膠或包覆止洩帶在牆內 1/2" 彎頭內牙及中間接頭的 1/2" 牙，再將出水口組裝上去即可。

5. Assemble Handle Bonnet (Fig. 5)
組合把手蓋 (圖.5)

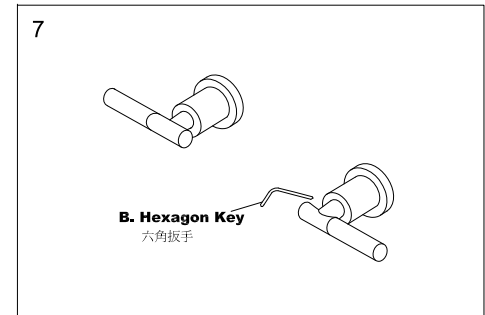
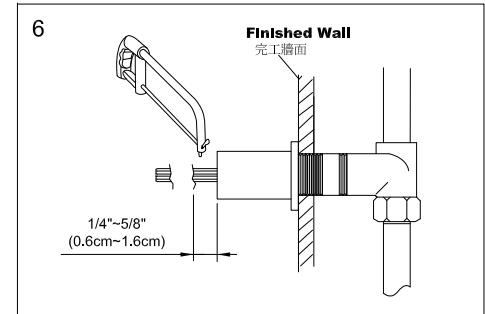
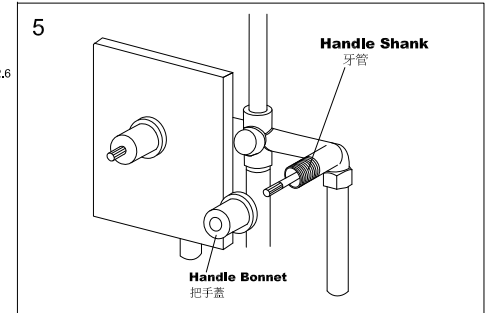
Attach **Handle Bonnet** onto **Handle Shanks**.
將把手蓋套入牙管並鎖緊。

6. Cut overlong Valve Stems (Fig. 6)
切除過長的閥心軸 (圖.6)

Cut overlong **Valve Stems** to certain length (1/4" ~5/8" or 0.6cm ~ 1.6cm) as shown for fix handles.
依需要切除凸出牆壁過長的閥心軸 (凸出把手蓋 1/4" ~5/8" 或 0.6cm ~1.6cm)，以便於組裝把手。

7. Assemble Handles (Fig. 7)
組合把手 (圖.7)

Press **Handles** over the **Valve Stems** to proper position, than tighten setscrews.
將把手裝入閥心軸到適當位置，再鎖緊埋頭螺絲。



FIXING CONTENTS

組配件內容

<p>A. Mixer Valve Body ;N 1 本體</p>	<p>B. Hexagon Key ;N 1 六角扳手</p>	<p>D. Nut ;N 2 螺帽</p>	<p>F. Sleeve ;N 2 保護套</p>	<p>G. Showerhead (with Flange) ;N 1 淋浴頭 (含法蘭蓋)</p>	<p>H. Spout ;N 1 出水口</p>
	<p>C. Gasket ;N 2 墊圈</p>	<p>E. Adaptor ;N 2 接頭</p>			