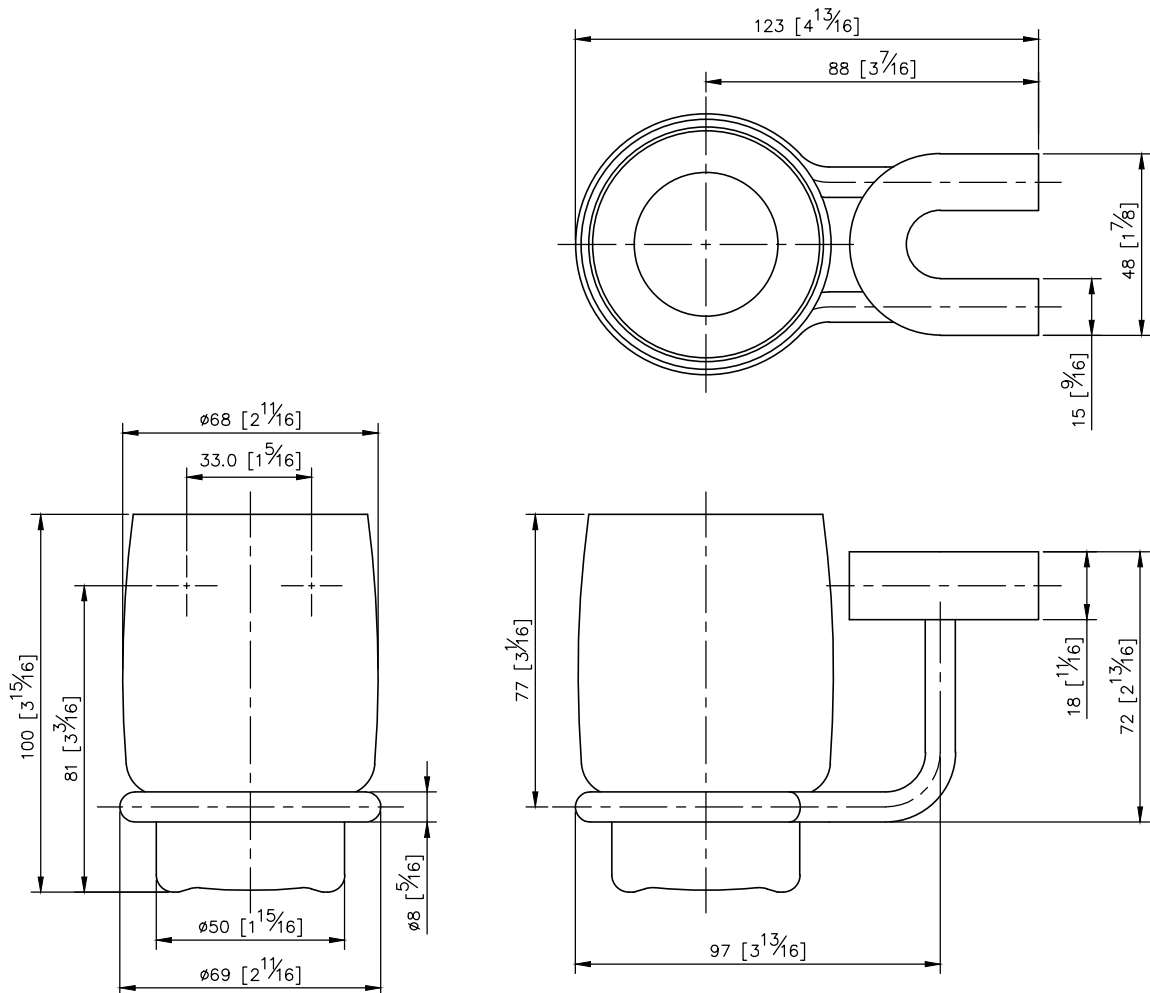


Tumbler Holder
6881-30-80CP

- 1.Brass mounting base and supporting ring meet JIS 3604 standard.
- 2.Premium metal construction for durability.
- 3.Justime finishes resist corrosion and tarnish.
- 4.Chrome plated finish meets the standard of ASTM-SC2.
- 5.Frosted glass tumbler increases visual softness.
- 6.Vertical force could support a static load of 2 Kgf.
- 7.Capacity of the tumbler is 220ml.
- 8.Coordinates with other products in 6881 collection.

unit: mm[inch]



Mounting Template Specification

