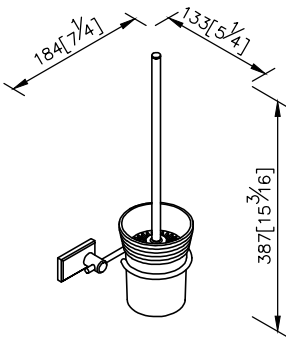
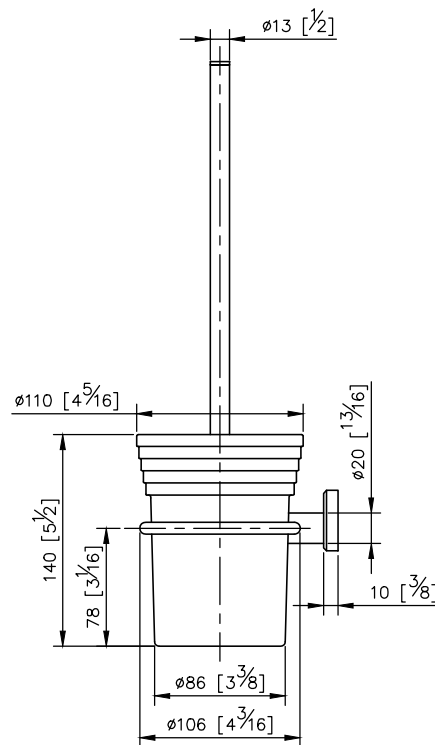
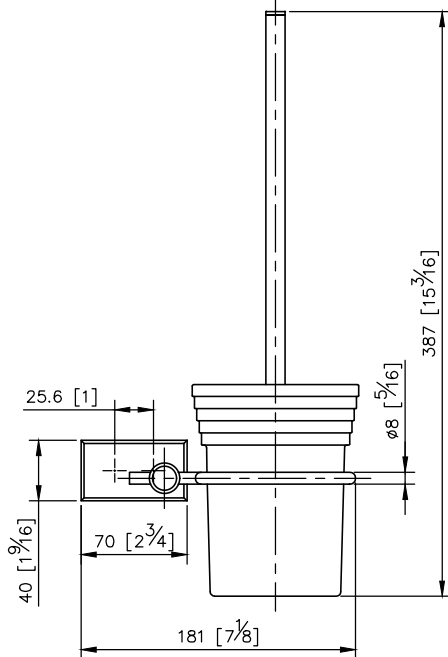
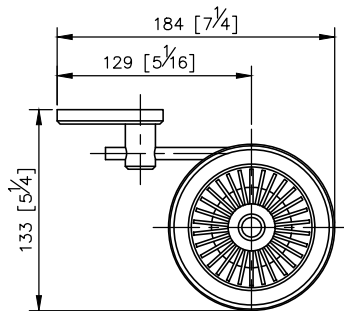


Toilet Brush Holder
6891-80-80CP



- 1.Brass forging faceplate meets JIS 3771 standard.
- 2.Brass ring material meets JIS 3604 standard.
- 3.Justime finishes resist corrosion and tarnish.
- 4.Chrome plated finish meets the standard of ASTM-SC2.
- 5.Vertical force could support a static load of 2 Kgf.
- 6.Frosted glass brush holder is easy to be maintained.
- 7.Standard size of brush could be easily replaced to keep clean.
- 8.Coordinates with other products in 6891 collection.

unit: mm[inch]



Mounting Template Specification

