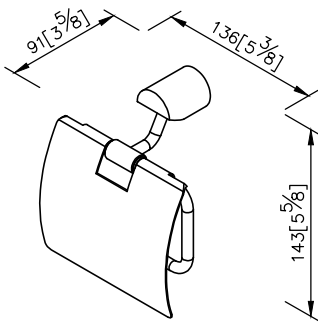


Toilet Tissue Holder W/Lid
6892-41-80CP



- 1.Brass forging mounting base meets JIS 3771 standard.
- 2.Brass body and supporting ring meet JIS 3604 standard.
- 3.Top lid material with stainless steel.
- 4.Chrome plated finish meets the standard of ASTM-SC2.
- 5.Vertical force could support a static load of 5 Kgf.
- 6.The cylinder pedestal of the bathroom accessories could increase the elegance for environment.
- 7.Coordinates with other products in 6892 collection.

unit: mm[inch]

