

Bath Towel Rack W/Rail
6899-66-80S1

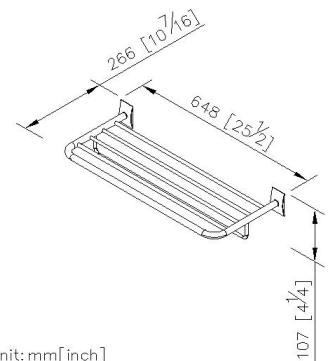
INTRODUCTION:

The simple curve base has designed with the brushed finish to display the beauty of fashion.



DESCRIPTION:

1. Stainless steel faceplate with brushed finish.
2. Forging brass mounting base meets JIS 3771 standard.
3. Stainless Steel faceplate and towel rack meet SUS 304 standard.
4. Justime finishes resist corrosion and tarnish.
5. Finish meets the standard of ASTM-SC2.
6. Correctly installed product loading is 5 Kgf.
7. The size of towel rack: 600x265 mm.
8. Equipped with stainless steel screws to secure installation.
9. With towel rail.
10. Coordinates with other products in 6899 collection.



unit: mm[inch]

Certification:

Fixing Kits:

1. SUS 304 Stainless Steel Screws*4
- Hex Key 2.5mm*1
Plastic Anchors*4

AWARD: