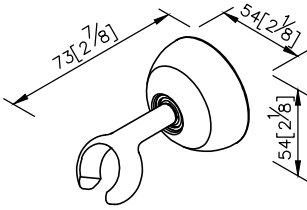
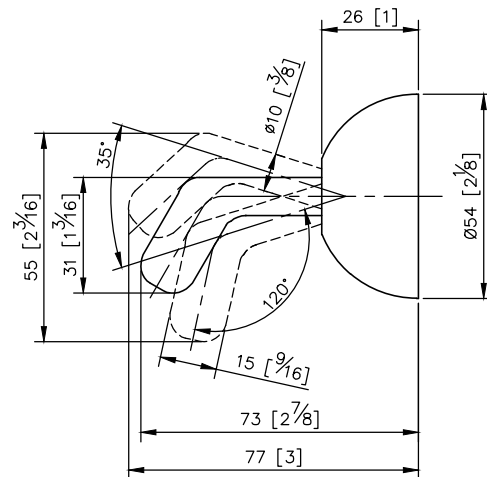
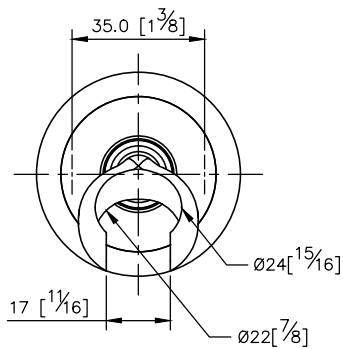
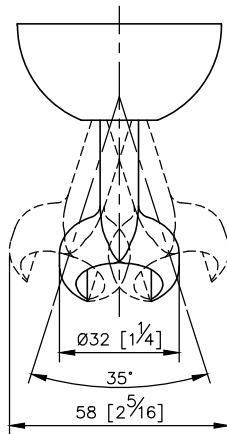


## Shower Holder 6903-9C-80CP



- 1.Brass of forging mounting base and bracket meet JIS 3771 standard.
- 2.Brass faceplate meets the standard of JIS 3604.
- 3.Justime finishes resist corrosion and tarnish.
- 4.Simple and geometric design of shower holder fits for all kinds of hand showers.
- 5.Users could adjust the angle to fit for personal requirement.
- 6.Chrome plated finish meets the standard of ASTM-SC2.
- 7.Coordinates with other products in 6903 collection.

unit: mm[inch]



### Mounting Template Specification

