

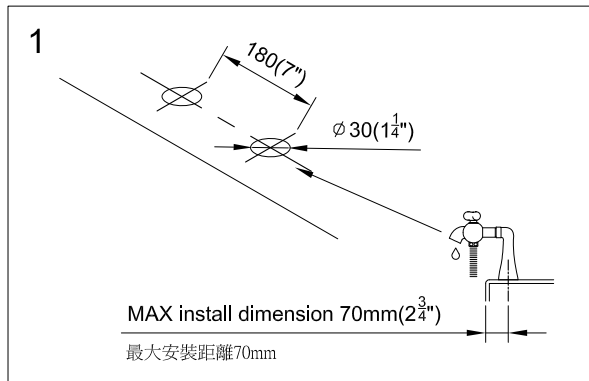
INSTALLATION INSTRUCTIONS

PATENT NUMBER:

專利號碼:
D131979

Rim Mounted Bath / Shower Mixer

立式淋浴龍頭



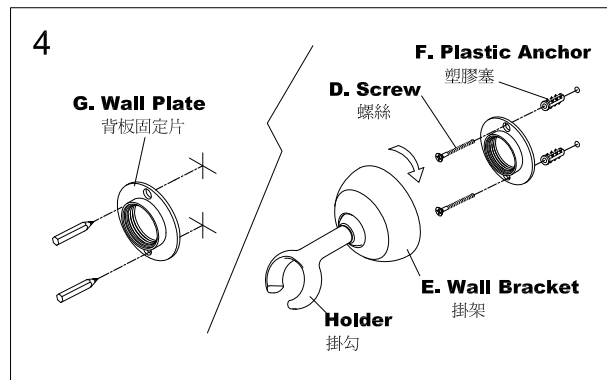
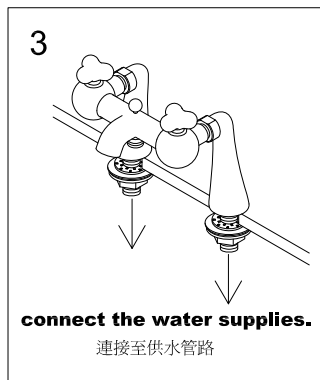
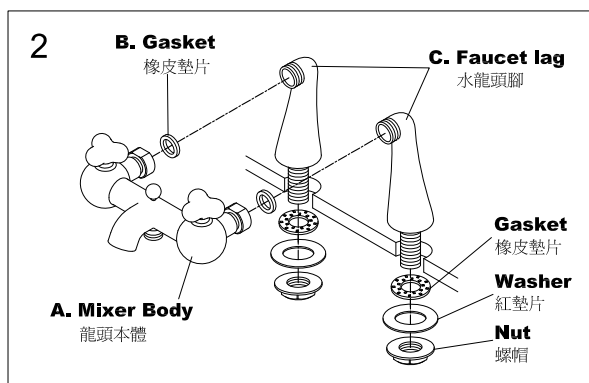
CAUTION : Risk Of Product Damage.

注意：為增加產品使用壽命，請依說明清潔供水管路。

When finished installation, turn the valve on and run for 1 minute before using.

完成安裝後，需在使用前先把供水開關全開排水持續一分鐘。

1. Drill 2 holes on appropriate position as Fig.1 shown.
在適當的位置鑽2個孔，如 Fig.1 所示。
2. Fit the **Legs** to the **Mixer body** with the **Gaskets** provided, then install the Mixer to the bath tub as Fig.2 shown.
將墊片放到龍頭本體，並將龍頭左右腳與龍頭本體組合，然後將龍頭裝到浴缸。如 Fig.2 所示。
3. Connect water supplies to **Mixer** as Fig.3 shown.
連接供水管路至龍頭。如 Fig.3 所示。
4. Using **Wall Plate** as a template, mark and drill at proper position then install **Wall Plate** on the wall. Screw **Wall Bracket** onto **Wall Plate** and tighten it. Rotate the **Holder** to correct position as the Fig.4 shown.
先決定花灑掛架欲安裝之位置，利用背板固定片上兩孔用鉛筆畫兩個基準點，再使用6mm 鑽頭於牆上記號鑽孔。將掛架背板固定於牆上之後，將掛架順時針鎖入背板至鎖緊。將掛勾轉至正確位置，如fig.4 所示。
5. Connect **Shower Hose** with gasket to **Mixer Body** and **Hand Shower** as Fig.5 shown.
將蛇管含墊片固定在龍頭本體與手持花灑，如 Fig.5 所示。



FIXING CONTENTS

組配件內容

