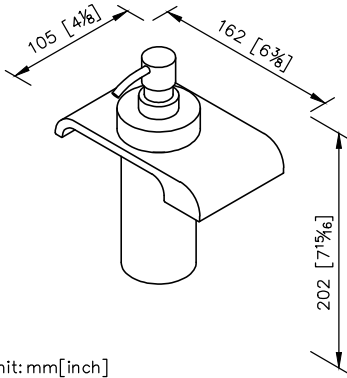
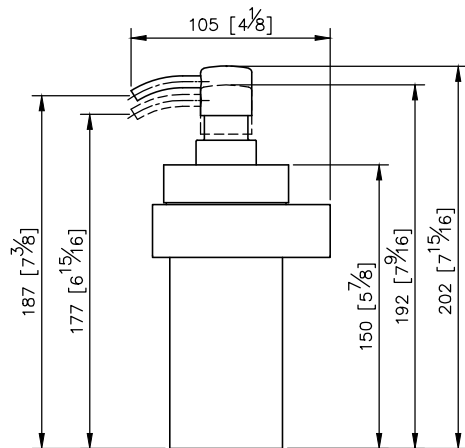
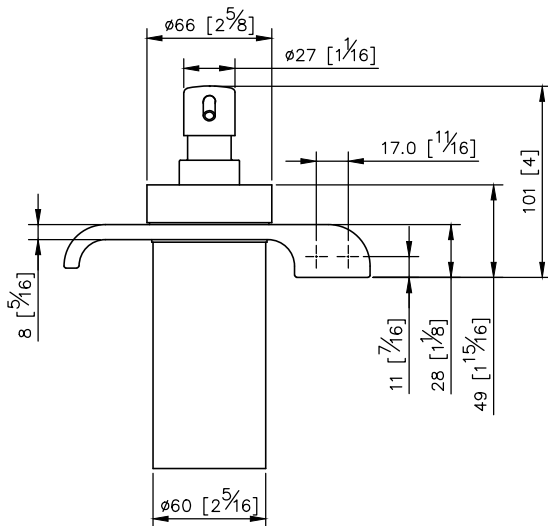
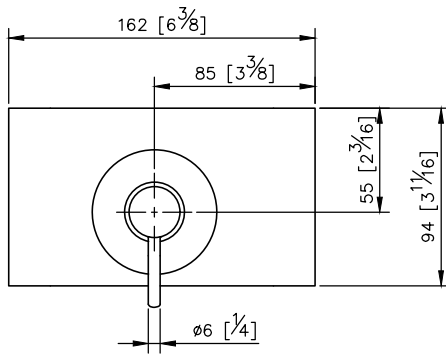


Dragon Soap Dispenser 6904-25-80MA



unit: mm[inch]

1. Aluminium body meets 6061 T6 standard
2. Premium metal construction for durability
3. Justime finishes resist corrosion and tarnish
4. Correctly installed product's loading is 2 kg f
5. Porcelain white soap dispenser
6. Capacity: 280ml
7. 1.5cc for each dispense
8. The one-piece design could prevent the filth from accumulating and help easy cleaning as a result
9. Coordinates with other products in Dragon collection



Mounting Template Specification

