

INSTALLATION INSTRUCTIONS

6904安裝說明

1. Select proper position for product and mark center of mounting hole on wall as below shown. For double **Bracket** fixing, mark centers of mounting holes horizontal and refer to the actual product for checking distance between hole centers.

請先選取預定安裝的位置，並在牆壁上畫上預定鑽孔記號。如果要安裝雙背板基座的產品，請先確認鑽孔的位置是在同一水平線上，並以產品比對確認鑽孔的距離，如下圖示。

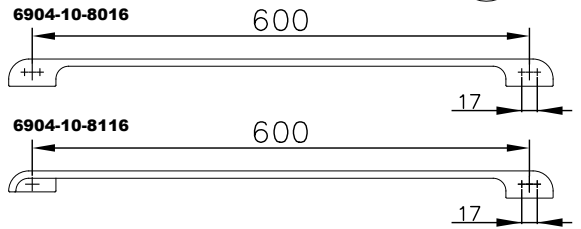
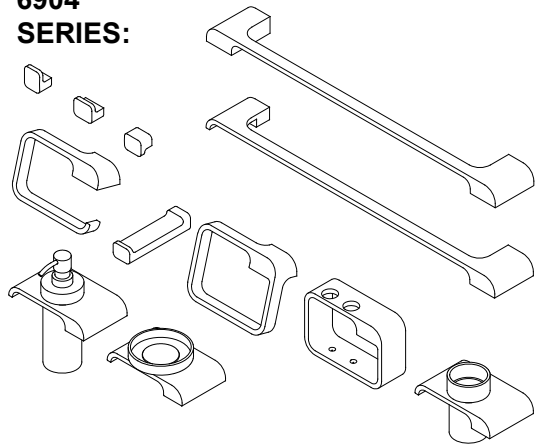
2. Using a 6mm drill-bit, drill the hole(s) in marked position(s) to a depth of 4cm. Insert the **Plastic Anchor(s)** to the hole(s) on the wall, then screw **Bracket(s)** into the **Plastic Anchor(s)**.

當安裝在水泥牆，使用6mm鑽頭，鑽孔深度4公分，嵌入塑膠塞並使之齊平於牆面，將固定基座以螺絲鎖緊在牆上。

3. Use the **Hex Key** to loosen the **Set Screw** in the **Main Body**. Slide the **Main Body** over the **Bracket** and tighten **Set Screw** into **Main Body**.

用隨附六角扳手先鬆開本體下方的螺絲，使本體能順利套進固定基座後，再鎖緊下方的螺絲，完成安裝程序。

6904 SERIES:



Caution: The **Set Screws** should be parallel with the wall.

注意：螺絲需與牆壁平行。

