

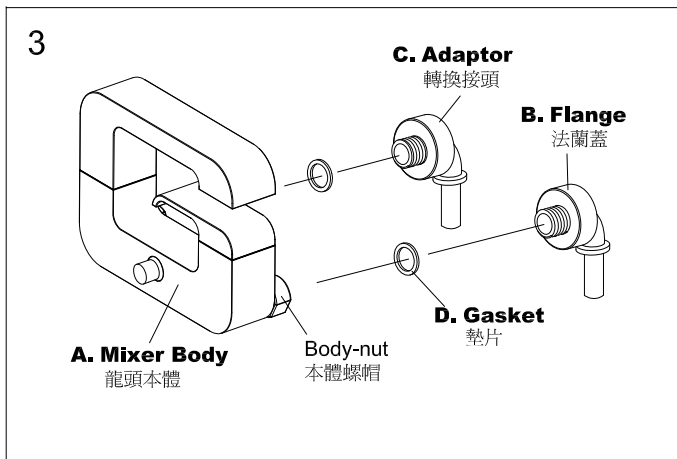
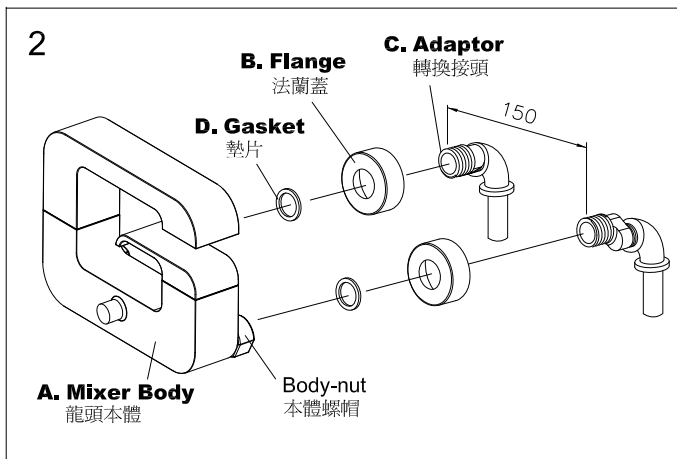
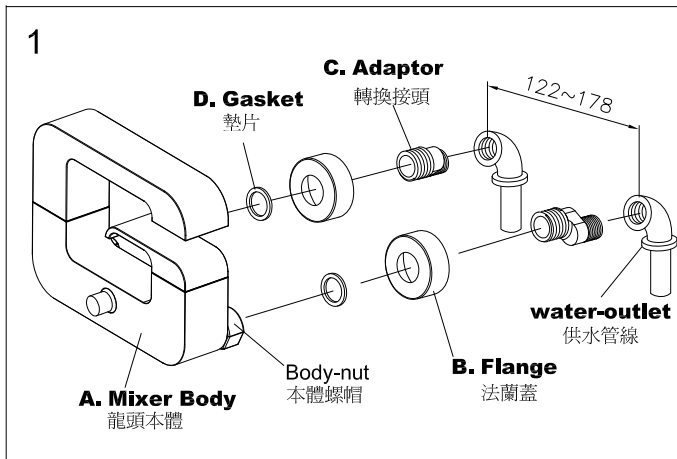
INSTALLATION INSTRUCTIONS

Bath / Shower Mixer 淋浴龍頭安裝說明

PATENT NUMBER:
專利號碼:
001018899-0005
D129784
ZL 2008 3 0257797.9
M371824

CAUTION : Risk Of Product Damage.

注意：為增加產品使用壽命，請依說明清潔供水管路。
When finished installation, turn the valve on and run for 1 minute before using.
完成安裝後，需在使用前先把供水開關全開排水持續一分鐘。



1. The available distance between two centers of wall water-outlet can be 122~178mm as Fig.1 shown.

凡牆壁上冷熱出水孔中心距離在122~178mm者，皆可適合安裝本產品，如 Fig.1 所示。

2. Apply pipe compound or thread sealant tape to the thread of **Adaptor** 1/2" end, and screw it into wall water-outlet, meanwhile, adjust the distance between two **Adaptors** 3/4" end to 150mm for **Mixer Body** connection as Fig.2 shown.

將轉換接頭1/2"牙塗上管牙膠或包覆止洩帶，再鎖入牆壁出水口，調整轉換接頭並且確定3/4"那邊的中心距為150mm以便安裝龍頭本體，如 Fig. 2 所示。

3. Cover **Flanges** onto both 3/4" end of **Adaptors**, then insert **Gaskets** into each body-nut and screw the body-nut onto **Adaptors** 3/4" end and tighten fixed as Fig.3 shown.

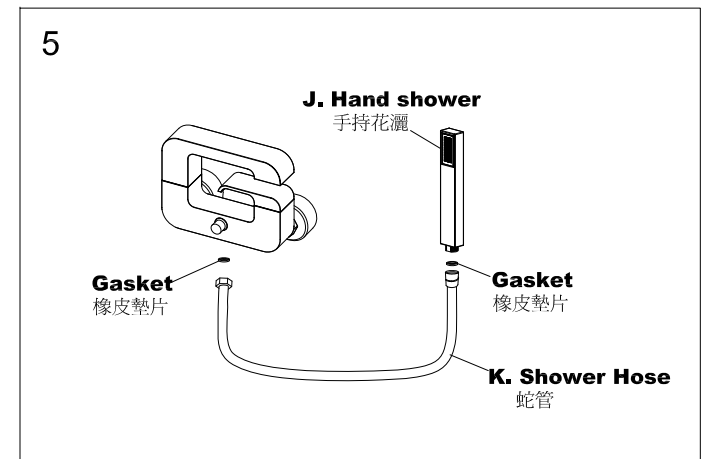
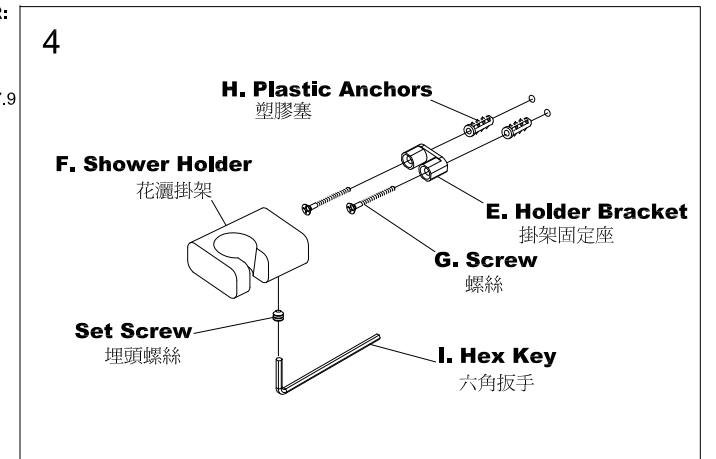
將2法蘭蓋各別裝上轉換接頭的3/4"那邊，然後將2墊片各別裝入本體螺帽，並且將本體螺帽鎖在轉換接頭3/4"那端鎖緊固定住，如 Fig.3 所示。

4. Using **Holder Bracket** as a template at proper position mark and drill, then insert **Plastic Anchors** flush with wall, fix **Holder Bracket** on the wall. Install the **Shower Holder** over the **Holder Bracket** and tighten **Set Screw** as Fig.4 shown.

利用掛架固定座在牆壁上適當的位置做記號並鑽孔，嵌入塑膠塞使之齊平於牆面，將固定座以螺絲鎖緊在牆上，將花灑掛架套進掛架固定座後，再鎖緊下方的埋頭螺絲，如 Fig.4 所示。

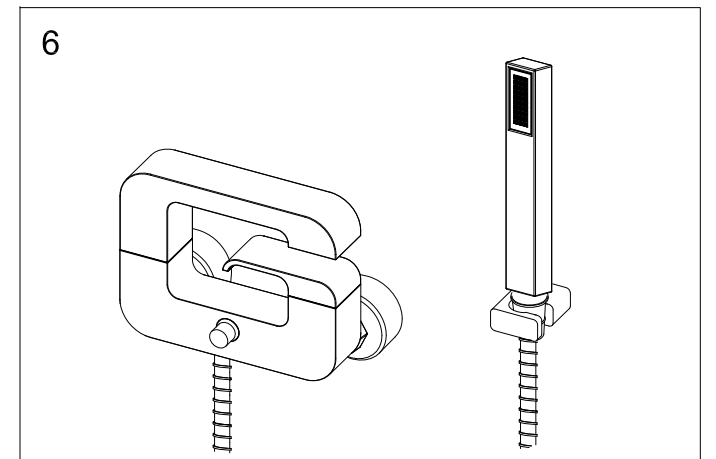
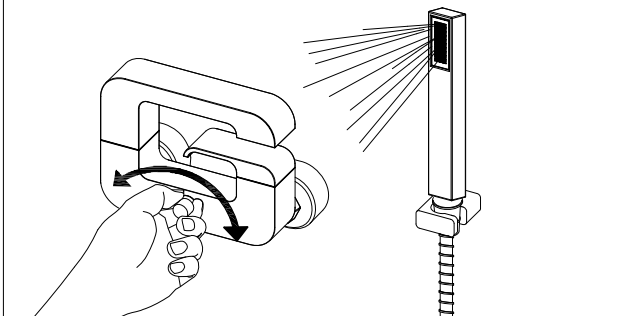
5. Connect **Shower Hose** with gasket to **Mixer Body** and **Hand Shower** as Fig.5 shown.

將墊片裝入蛇管六角螺帽固定在龍頭本體底部的牙端上，然後將另一片墊片裝入另一端鎖緊在手持花灑，如 Fig.5 所示。



Diverter Control(水流切換控制):

1. Push and pull the knob for Diverter Control.
拉出龍頭上的按鈕以作水流切換控制。
2. Turning the knob to adjust the hand-shower Flow-Rate.
旋轉按鈕即可調整手持花灑水量。



FIXING CONTENTS

組配件內容

| | | | | | | | |
|--------------------------------------|-----------------------------------|---|---|--|-----------------------------------|---------------------------------------|-------------------------------------|
| A. Mixer Body × 1 龍頭本體 | B. Flange × 2 法蘭蓋 | D. Gasket × 2 墊片 | F. Shower Holder × 1 花灑掛架 | G. Screw × 2 螺絲 | I. Hex Key × 1 六角扳手 | J. Hand Shower × 1 手持花灑 | K. Shower Hose × 1 蛇管 |
| | C. Adaptor × 2 轉換接頭 | E. Holder Bracket × 1 掛架固定座 | | H. Plastic Anchors × 2 塑膠塞 | | | |