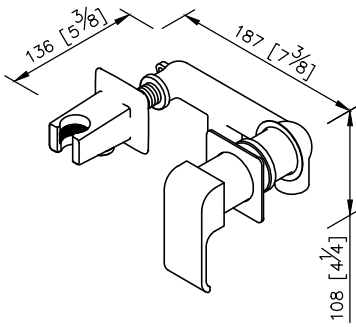


Concealed Shower Mixer 6904-X3-80CP



unit: mm[inch]

1. Ceramic valve with CERAMTEC ceramic disc / Germany.
2. The mixing valve could be installed in the cemented and wooden wall.
3. With replaceable check valve assembled in the bottom of the cartridge to prevent the water from flowing back.
4. Thread G1/2 inlet.
5. The applicable water pressure is from 1 to 6 kg/cm².
6. Chrome plated finish meets the standard of ASTM-SC2.
7. Brass forging handle material meets JIS 3771 standard.
8. Material of faceplate is stainless steel SUS 304.
9. Handle can be moved upward to adjust water flow from closed position, hot and cold water controlled by swinging handle for 45° both right and left sides.
10. Past 500,000 times lifespan test.
11. With shower holder.

