

Mark 1

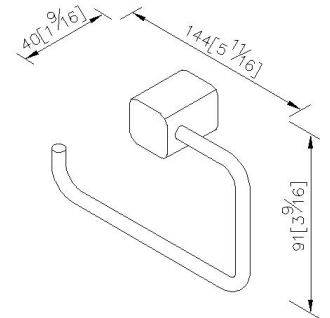
Toilet Tissue Holder 6909-40-80CP

INTRODUCTION:

The square body has been designed with the smooth arc to soften the sharp angle and increase the comfortable sense.

DESCRIPTION:

- 1.Brass mounting base and ring meet JIS 3604 standard.
- 2.Justime finishes resist corrosion and tarnish.
- 3.Chrome plated finish meets the standard of ASTM-SC2.
- 4.The pedestal could increase the stability for using.
- 5.Vertical force could support a static load of 5 Kgf.
- 6.The square pedestal of the bathroom accessories could increase the elegance for environment.
- 7.Coordinates with other products in 6909 collection.



unit: mm[inch]

Certification:

Fixing Kits:

- SUS 304 Stainless Steel Screws*2
- Hex Key 2.5mm*1
- Plastic Anchors*2
- Material of Wall Mount Bracket: Zinc alloy*1

AWARD: