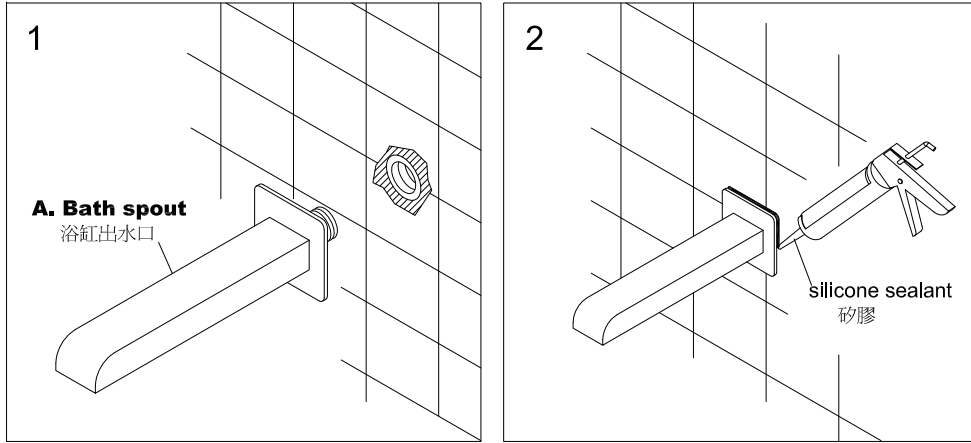


INSTALLATION INSTRUCTIONS

Bath Spout 浴缸出水口安裝說明



CAUTION : Risk Of Product Damage.

注意：為增加產品使用壽命，請依說明清潔供水管路。

Remove the aerator and fully turn on the faucet and run for 1 minute after finish installation, then turn off the water and reinstall the aerator.

完成安裝之後，把起泡器移開，把水全部轉開持續一分鐘，然後把水關掉再把起泡器裝回去。

1. Apply pipe compound or thread sealant tape to the thread of **Spout** 1/2" end, and screw it into wall water-outlet.

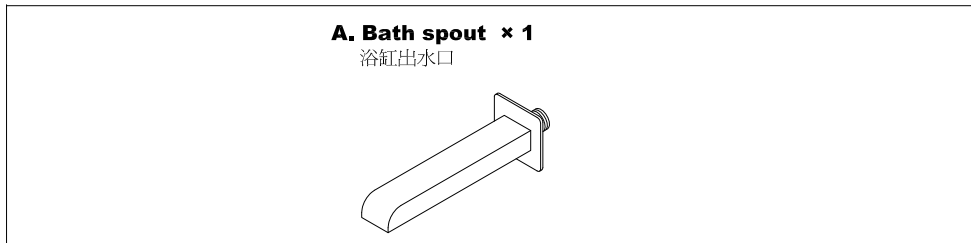
將出水口1/2"牙塗上管牙膠或包覆止洩帶，再鎖入牆壁出水口。

2. Using silicone sealant seals the gap between flange and wall.

使用矽膠填補法蘭蓋與牆壁間隙。

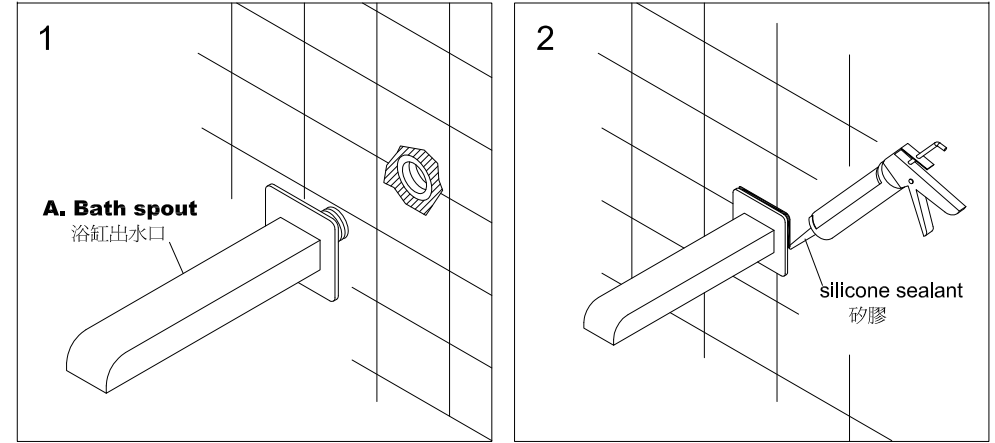
FIXING CONTENTS

組配件內容



INSTALLATION INSTRUCTIONS

Bath Spout 浴缸出水口安裝說明



CAUTION : Risk Of Product Damage.

注意：為增加產品使用壽命，請依說明清潔供水管路。

Remove the aerator and fully turn on the faucet and run for 1 minute after finish installation, then turn off the water and reinstall the aerator.

完成安裝之後，把起泡器移開，把水全部轉開持續一分鐘，然後把水關掉再把起泡器裝回去。

1. Apply pipe compound or thread sealant tape to the thread of **Spout** 1/2" end, and screw it into wall water-outlet.

將出水口1/2"牙塗上管牙膠或包覆止洩帶，再鎖入牆壁出水口。

2. Using silicone sealant seals the gap between flange and wall.

使用矽膠填補法蘭蓋與牆壁間隙。

FIXING CONTENTS

組配件內容

