

## Glance

### 2.5X Magnifying Mirror W/Adjustable Arm 6910-R2-80CP

#### INTRODUCTION:

The appearance design with conception of simple and elegant, which is suitable to every bathroom space. Various characteristics, ex : adjustable angle & height, and 2.5X magnifying reflection, which meets the customer's need.



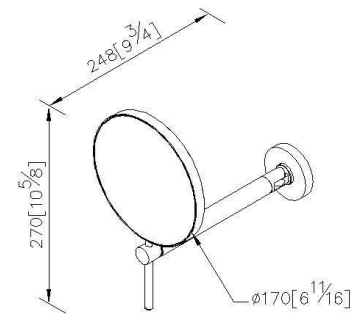
#### DESCRIPTION:

- 1.Mirror can be rotated levelly for 360 degrees, and there're optional functions as 2.5X magnifying and normal type for reflection.
- 2.Mirror shaft could be adjusted horizontally to left and right for 90 degrees, convenient for operation and save the space.
- 3.Mirror surface could be moved left and right each for 12 degrees.
- 4.Special process treatment prevents the corrosion on the mirror frame.
- 5.Coordinates with other products in 6910 collection.

#### Certification:

#### Fixing Kits:

- 1.SUS 304 Stainless Steel Screws\*4
- 2.Hex Key 2.5mm\*1
- 3.Plastic Anchors\*4



unit: mm[inch]

#### AWARD: