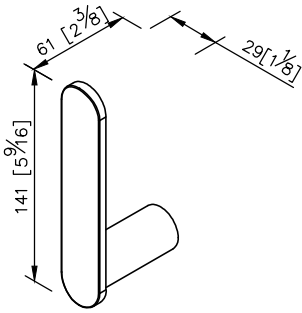


Spare Toilet Tissue Holder
6922-43-80CP

- 1.Brass material meets JIS 3604 standard.
- 2.Premium metal construction for durability.
- 3.Justime finishes resist corrosion and tarnish.
- 4.Chrome plated finish meets the standard of ASTM-SC2.
- 5.Product has been designed without joints to make it easy to clean.
- 6.Vertical force could support a static load of 5 kgf.
- 7.Coordinates with other products in Charming collection.



unit: mm[inch]

