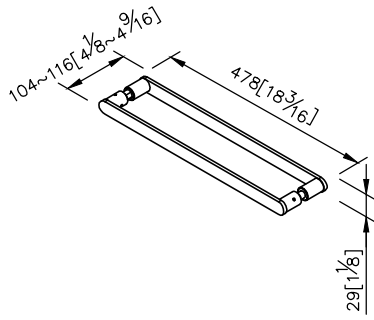


**Door Handle**  
**6922-D2-80MA**



unit: mm[inch]

- 1.Brass of body and handle meet JIS 3604 standard.
- 2.Premium metal construction for durability.
- 3.Justime finishes resist corrosion and tarnish. Product has been designed without joints to make it easy to clean.
- 4.Vertical force could support a static load of 4 Kgf.
- 5.Two sides door handle provides more convenience.
- 6.Door handle length between 2 centers is 450mm.
- 7.The door handles are specially designed for the glass, it could provide more convenience and stability during the operation.
- 8.Coordinates with other products in Charming collection.

