

INSTALLATION INSTRUCTIONS

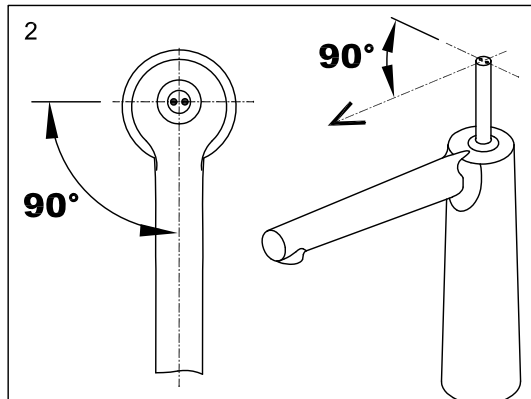
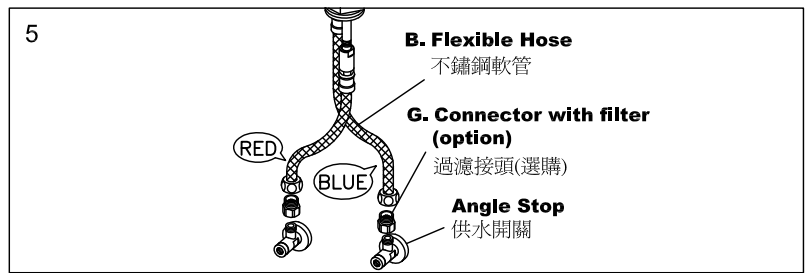
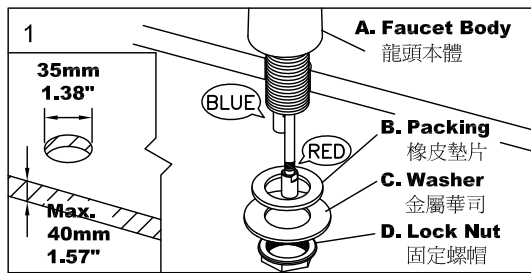
PATENT NUMBER:

專利號碼:

001936303-0006

KITCHEN FAUCET

廚房龍頭安裝說明



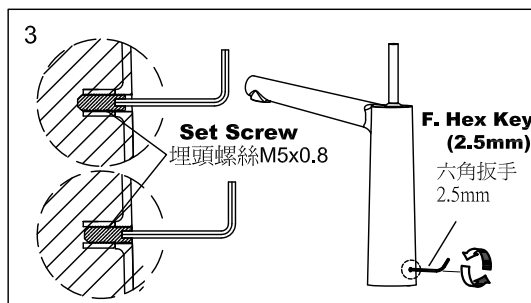
CAUTION : Risk Of Product Damage.

注意：為增加產品使用壽命，請依說明清潔供水管路。

a./ Turn the angle stops (water suppliers) on and run for 1 minute before connect supply hose (flexible hose) to faucet body. or b./ 安裝編織管之前，先把供水開關全開排水一分鐘。或 b./

b./ Connect and tighten the faucet and angle stops with supply hose (flexible hose) to finish installation, then remove the aerator, fully turn on the hot and cold water valves on faucet and run for 1 minute, then turn off the water and reinstall the aerator.

把龍頭、供水開關及編織管接好並鎖緊之後，把起泡器移開，把熱水及冷水全部轉開一分鐘，然後把水關掉再把起泡器裝回去。



1. The diameter of the installing hole should be 35mm. (Please note the maximum available thick of deck is 40mm.) Position **Faucet Body** and insert **Packing, Washer and Lock Nut** onto **Faucet Body**, and then tighten **Lock Nut** securely. (Fig.1)

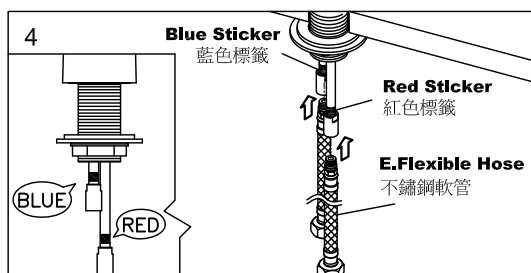
檯面鑽一圓孔直徑35mm (請注意:檯面厚度限制需低於40MM)，後將龍頭放至於安裝檯面上並依序套入橡皮墊片、金屬華司和固定螺帽，確認方向位置後，鎖緊螺帽固定龍頭即可。(圖.1)

2. Make sure the Spout is vertical to cold and hot marks on the handle before tighten the **Lock Nut**. (Fig.2)

請確認安裝位置後再鎖緊固定螺帽。(圖.2)

3. Loosen the **Set Screw** at the backside of Faucet counterclockwise by **Hex Key** (2.5mm) till the head of **Set Screw** has been flush with the surface of faucet and make sure the Faucet could be rotated smoothly. (Fig.3)

將龍頭安裝固定於檯面後，使用六角扳手(2.5mm)依逆時針方向將龍頭後方螺絲鬆退直至螺絲頭與龍頭表面齊平。(圖.3)



4. Connect the **Flexible Hoses** to water inlets of **Faucet Body** with the same color. (Fig.4)

分別將不鏽鋼軟管依顏色區分，將其安裝至顏色相對應的位置上。(圖.4)

5. Connect the **Flexible Hoses** and **Angle Stops** with **Connector with filter** to finish installation. (Fig.5)

先連接過濾接頭到進水開關，再將不鏽鋼軟管連接到過濾接頭，即完成安裝。(圖.5)

FIXING CONTENTS

組配件內容

