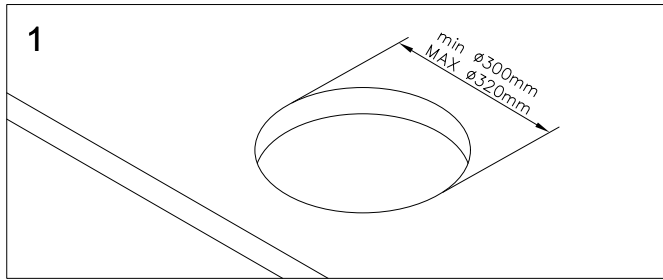


INSTALLATION INSTRUCTIONS

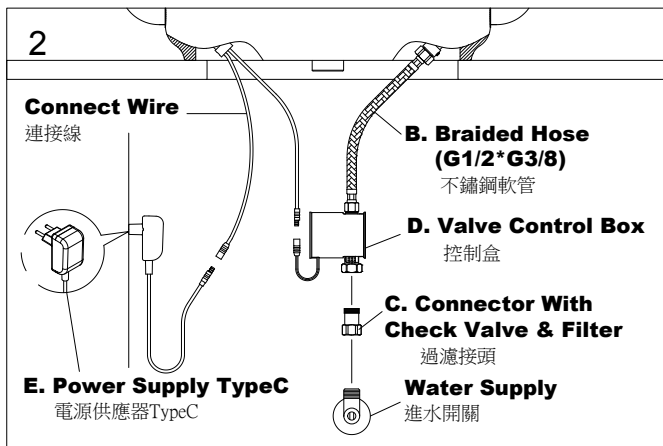
BASIN AND SENSOR FAUCET COMBINATION

感應龍頭面盆組安裝說明



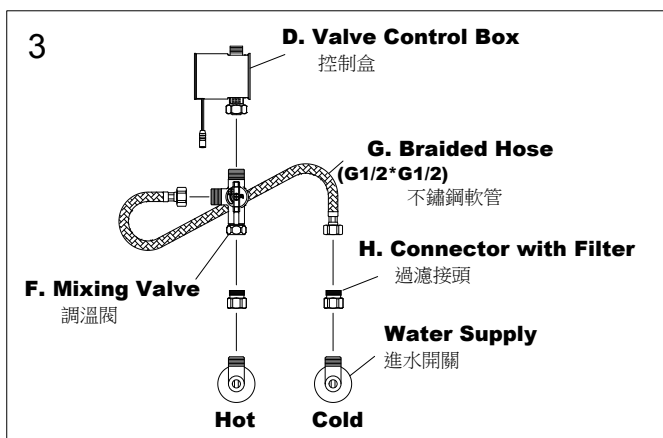
1. Drill a hole on the countertop at proper position with 300~320mm diameter.

在檯面上預留安裝孔洞，圓徑大小介於300~320mm。



2. For cold only installation, use **Connector With Check Valve & Filter** to connect inlet of **Valve Control Box** and Water Supply; connect threaded shank under **Basin** and **Valve Control Box** with **Braided Hose (G1/2*G3/8)**. Connect Wires to **Valve Control Box** and **Power Supply**, and then plug in to complete installation.

將過濾接頭與進水開關對鎖，接著控制盒鎖上過濾接頭，再取編織管接上控制盒，另一頭與盆子外露的牙管對鎖；接著連接線的一頭接上控制盒，另一條接上電源供應器再插上插座。



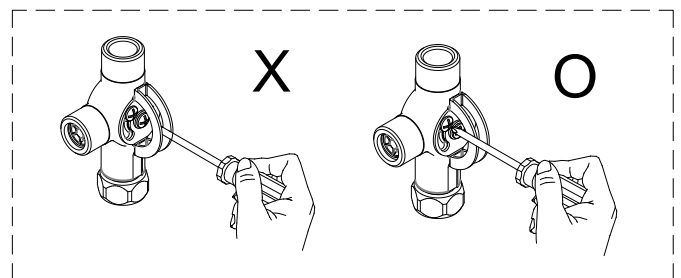
3. Users could purchase optional parts to upgrade to mixer.

For mixer installation, screw **Connector with Filter** onto hot and cold water supplies, and then connect **Mixing Valve** and **Valve Control Box** in sequence to hot water supply side. Connect cold water supply to **Mixing Valve** with **Braided Hose**, and then complete the steps as Fig. 2 to finish installation. Loosen the dial plate lock screw of **Mixing Valve**, adjust proper water temperature according to direction arrows on plate, and then tighten the lock screw to lock adjustment.

(⚠caution: do not attempt to loosen the center pivot screw.)

若選購調溫閥，將過濾接頭各自鎖在冷熱進水開關，將調溫閥鎖在熱水端後，再與控制盒對鎖，再將編織管連接冷水端和調溫閥本體，並依圖2完成後續組裝。鬆開調溫閥本體上調節溫度的螺絲，適當調整出水溫度，然後鎖緊螺絲。以完成溫度調節的功能。

(⚠警告：不要試圖鬆開調溫閥本體中心轉軸上的螺絲。)



FIXING CONTENTS

組配件內容

A. Freestanding Basin X 1 立盆	B. Braided Hose X 1 (G1/2*G3/8) 不鏽鋼軟管	C. Connector with Filter X 1 過濾接頭	D. Valve Control Box X 1 控制盒	E. Power Supply X 1 TypeC (100~240V) 電源供應器TypeC(100~240V)
Optional Parts For Mixer 調溫閥零件組 (選購)				
F. Mixing Valve X 1 (Optional) 調溫閥(選購)	G. Braided Hose X 1 (Optional) (G1/2*G1/2) 不鏽鋼軟管(選購)	H. Connector with Filter X 1 (Optional) 過濾接頭		