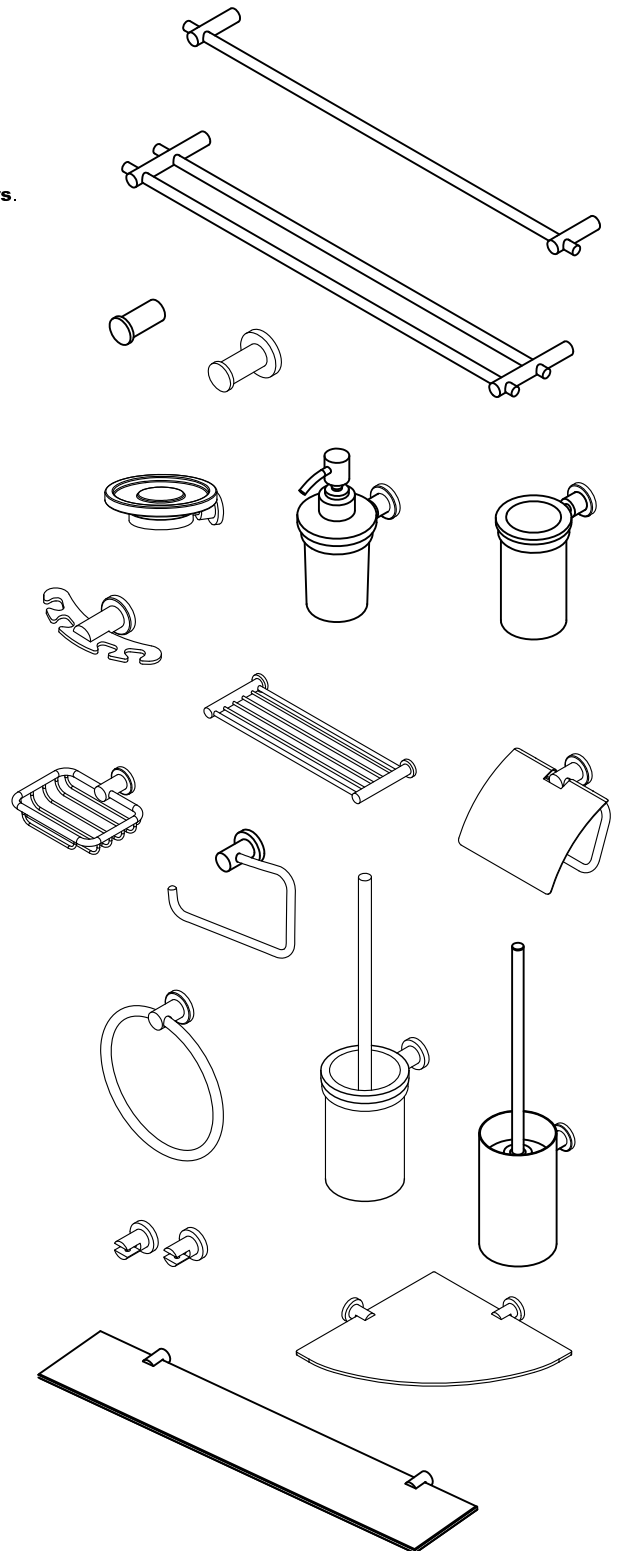
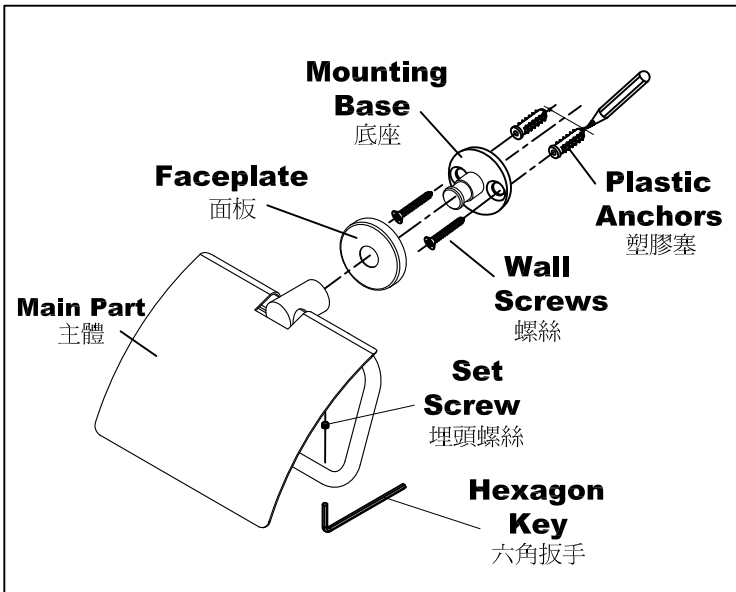


MOUNTING INSTRUCTIONS

6991 安裝說明

6991 SERIES:

- 1.) Loosen the **Set Screw** and disassemble the components for installation.
用隨附的六角扳手將埋頭螺絲鬆開，使主體與底座分離。
- 2.) Use **Mounting Base** as template to locate appropriate drilling centers with pencil.
用底座為樣板用鉛筆點繪出要鑽孔的位置。
- 3.) Drill holes in your marked locations. When mounting on drywall, insert **Plastic Anchors**.
水泥牆在鑽孔後須使用隨附的塑膠塞。
- 4.) Attach **Mounting Base** to wall with **Screws**.
將底座鎖在牆上，並確認已完全固定。
- 5.) Place **Faceplate** over center stem of the **Mounting Base** and hold in place.
將面板套入底座。
- 6.) Press the **Main Part** tightly over the center stem showing through the **Faceplate** and secure with **Hexagon Key**.
將主體穿過面板套入底座，再用六角扳手將埋頭螺絲鎖緊，完成安裝程序。



FOR TOWEL BAR ONLY

毛巾桿專用安裝說明

- 1.) Select proper position for product and mark centers of mounting holes by using a spirit level and refer to the actual product for distance between hole centers.
請先選取預定安裝的位置，確認鑽孔的位置是在同一水平線上，並以產品比對確認鑽孔的距離。
- 2.) Using a 6mm drill-bit, drill the hole(s) in marked position(s) to a depth of 4cm. Insert the **Plastic Anchor(s)** to the hole(s) on the wall, put the **Screw(s)** through the **Bracket(s)**, then screw into the **Plastic Anchor(s)**.
當安裝在水泥牆，使用1/4英寸鑽頭，鑽孔深度4公分，填入塑膠塞並使之齊平於牆面，將固定基座以螺絲鎖緊在牆上。
- 3.) Use the **Hex Key** to loosen the **Set Screw** in the **Main Body**. Slide the **Main Body** over the **Bracket** and tighten **Set Screw** ensuring the orientation of the **Main Body** is correct.
用隨附六角扳手先鬆開本體下方的埋頭螺絲，使本體能順利套進固定基座後，再鎖緊下方的埋頭螺絲，完成安裝程序。

