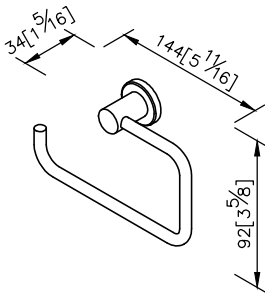


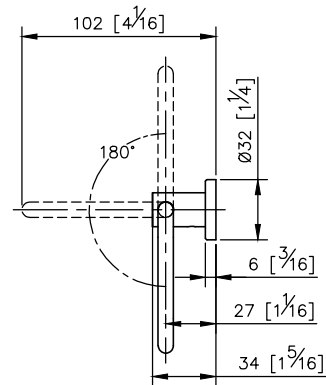
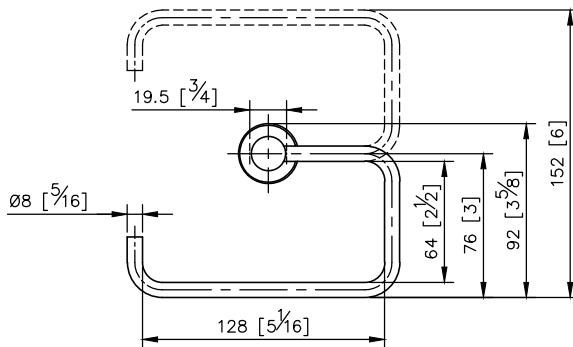
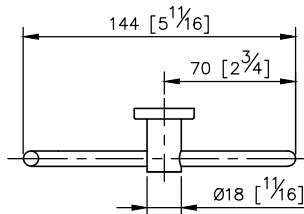
## Toilet Tissue Holder

6991-40-81S1



1. Stainless Steel body meets SUS 304 standard.
2. Premium metal construction for durability.
3. Justime finishes resist corrosion and tarnish.
4. Vertical force could support a static load of 5 kgf.
5. Coordinates with other products in 6991 collection.

unit: mm[inch]



### Mounting Template Specification

