

Toilet Tissue Holder W/Lid
6991-41-81S1

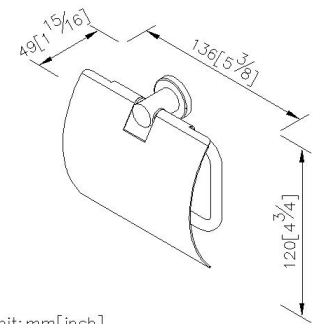
INTRODUCTION:

Inspired the small cylinder as the main idea to display the ingenious and comfortable sense, and also the best choice of the bathing space with simple style.



DESCRIPTION:

1. Stainless Steel body meets SUS 304 standard.
2. Premium metal construction for durability.
3. Justime finishes resist corrosion and tarnish.
4. Vertical force could support a static load of 5 kgf.
5. Coordinates with other products in 6991 collection.



Certification:

Fixing Kits:

- SUS 304 Stainless Steel Screws*2
- Hex Key 2.5mm*1
- Plastic Anchors*2

AWARD: